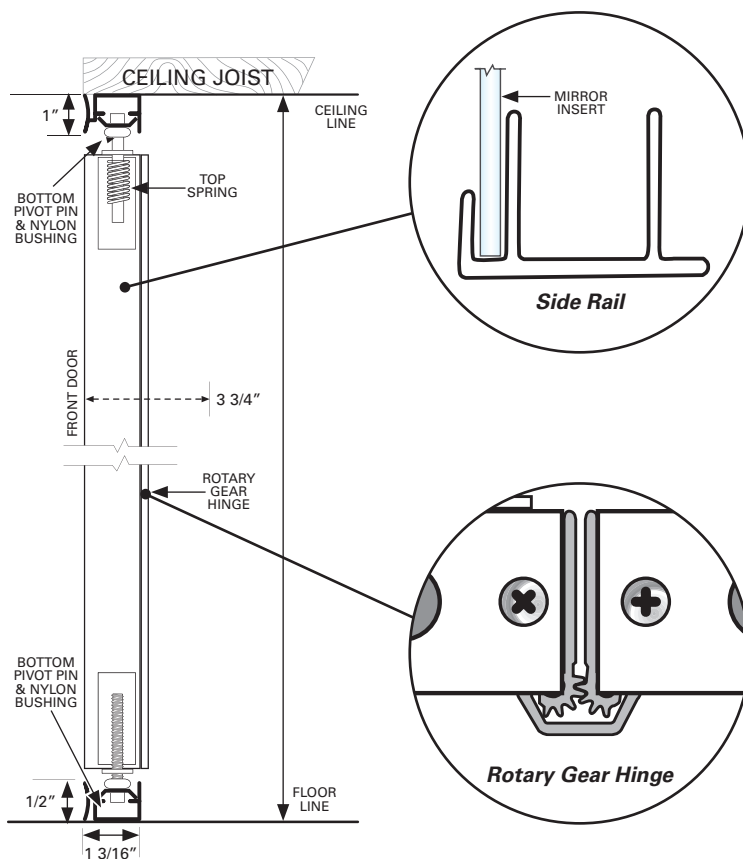


Trim Line® Bi-Fold



Photo shows a Bright Clear finish with Durafect® copper-free mirror insert



Technical Illustration

Finishes:

- Bright Clear, Bright Gold, Bronze, Brushed Nickel, Satin Clear, Satin Gold and White (High-Gloss)

Insert Type:

- 3mm Durafect® copper-free mirror
 - » Elimination of copper dramatically improves quality and life expectancy
 - » This creates a durable, superior grade mirror with exceptional quality

Frame Type:

- Frameless anodized aluminum frame
- Cw®'s edge guard feature on our frameless models is designed and manufactured to provide protection from high impact usage.

Track and Channel:

- Aluminum track and channel
- Top channel and bottom track with finish to match

Product Details:

- Heavy gauge 6063 extrusions (6463 is polished for bright colors)
- Color matched mirror handles
- Low friction steel pivot rods, adjustable screw type, shouldered on Teflon® grommet
- Positive stop, bind free Cw® rotary gear hinge for superior panel support and easy operation
- Spring loaded nylon roller guide pins for easy installation and bind free action
- Trackless installation hardware included
- Durafect® copper-free mirror panel has 400lb category II safety backing

Sizes:

- Standard sizes
 - » Width: 2 Panel: 24", 30" and 36"
 - 4 Panel: 48", 60" and 72"
 - » Height: 80 3/4" and 96"
- Custom sizes
 - » Maximum individual panel width is 18"
 - » Maximum opening height is 99"

Optional Upgrades:

- 1/2" bevel on vertical edges
- Decorative back painted glass inserts
- Decorative mirror inserts
- Face beveling design (v-groove)



Contractors Wardrobe®

Quality.
We Set The Standard.

26121 Avenue Hall, Valencia, CA 91355 | Phone: 661.257.1177 Fax: 661.257.4907 | CwDoor.com

Trim Line® Bi-Fold-SpecSheet-0618