

Installation Instructions

Model Style Lite® Vanity Flair



Quality.

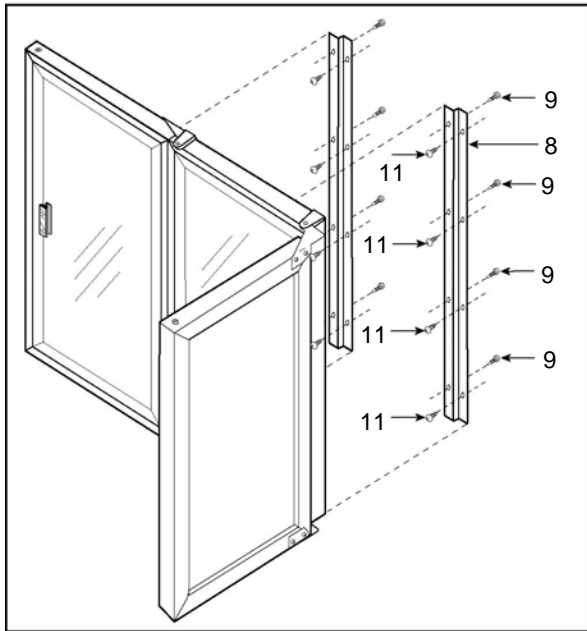
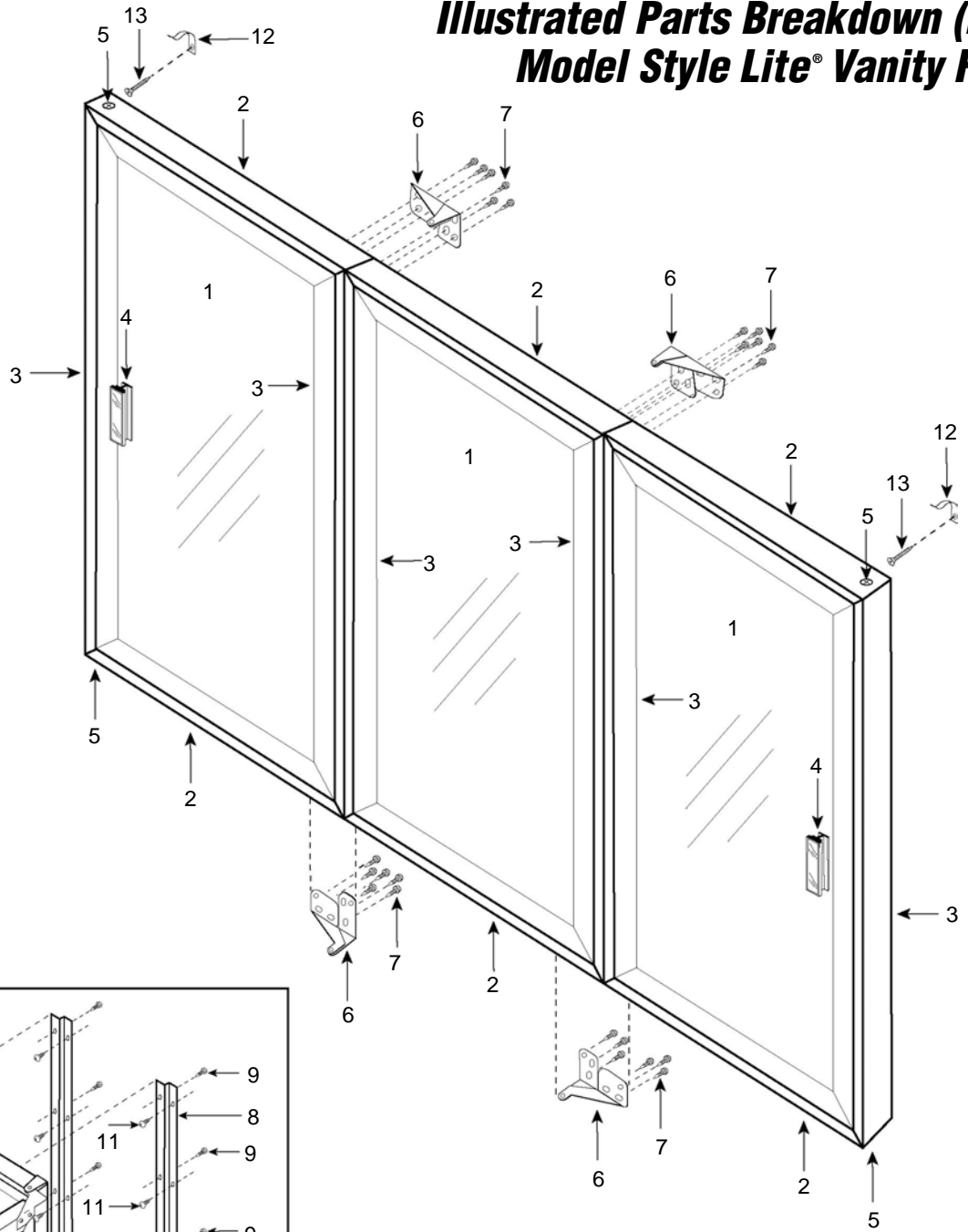
"We Set The Standard."



Contractors Wardrobe®

DESIGNERS • MANUFACTURERS • TOLL FREE: (800) CW-DOORS • (800) 293-6677 • www.cwdoor.com
26121 Avenue Hall • Valencia, CA 91355 • (661) 257-1177 • FAX: (661) 257-4907


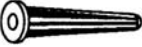



Illustrated Parts Breakdown (IPB) Model Style Lite® Vanity Flair



No.	QTY	PART #	PART DESCRIPTION
#1	3		Mirrored Glass Panels
#2	6	A3510	Top Mold / Bottom Mold with 2-Way Tape
#3	6	A3510	Side Mold
#4	2	HMBFA	Mirror Handles with 2-Way Tape
#5	12	50075	#8 x 1 Corner Screw
#6	4	H6020	Pivot Hinges
#7	24	S0055	#8 x 1/2 Screw
#8	2	A6000	Bracket
#9	6	S0084	#6 x 3/8 Screw
#10	2	S0180	Anchors
#11	8	S0095	#8 x 1-1/2 PH SMS Screw
#12	2	C2060	Wing Clips
#13	2	S0130	#6 x 3/4 Clip Catch Screw

Congratulations on purchasing your new CW® Style Lite® Vanity Flair. Now that you have opened the package, we want you to verify that you have all the necessary hardware supplied with your vanity.

PARTS CHECK LIST:

No.	QTY	DESCRIPTION	
(#1)	3	Mirrored Glass Panels	
(#4)	2	Mirror Handles with 2-Way Tape	
(#10)	2	Anchors	
(#11)	8	#8 x 1-1/2 PH SMS Screws	
(#12)	2	Wing Clips	
(#13)	2	#6 x 3/4 Clip Catch Screws	

If you find that any parts are damaged or missing, refer to the parts list and IPB Drawing and contact Contractors Wardrobe®'s Customer Service Department at (661) 257-1177.

TOOL CHECK LIST

You will need:

- Phillips Screwdriver
- Tape Measure
- Hammer
- Pencil
- 3/8 Drill Motor and 3/16 and 1/8 Drill Bits
- Square or Level

INSTALLING THE STYLE LITE® VANITY FLAIR

STEP 1 Measure for Center of Opening

Place Mirrored Glass Panels (#1) onto back splash. Using a Tape Measure, measure left and right sides to find center of opening (You may need a second person to hold the Mirrored Glass Panels (#1) in place, while measuring the opening to find the center).

STEP 2 Mounting the Vanity Flair

Place the Mirrored Glass Panels (#1) against the wall where you want to install it. Open the left wing and mark the wall through all the holes in the Bracket (#8). Next, open the right wing and mark the wall through all the holes in the Bracket (#8). Next, move the Mirrored Glass Panels (#1) out of the way. Carefully drill a 1/8 hole in the wall where you marked the holes through the Bracket (#8). If you did not drill into a wooden stud, you will need to use wall anchors. After you drill all of the holes and install the anchors, if necessary, move the Mirrored Glass Panels (#1) back into place. Next, insert the #8 x 1-1/2 PH SMS Screws (#11) through the holes in each Bracket (#8).

STEP 3 Installing the Wing Clips

Your next step is to install your Wing Clips (#12) to the wall. Place a Wing Clip (#12) at the upper right corner of the right wing. With a Pencil mark a hole in Wing Clip (#12). Open vanity wing and install #6 x 3/4 Clip Catch Screw (#13) and Wing Clip (#12). Repeat this on the left wing as well using #6 x 3/4 Clip Catch Screw (#13) and Wing Clip (#12). This Wing Clip (#12) will hold the vanity wings against the wall.

STEP 4 Installing the Mirror Handles

Clean mirror in the area where the Mirror Handles (#4) will be applied. Peel paper off the back of the Mirror Handles (#4). Position each Mirror Handle (#4) 36 from the bottom of the Mirrored Glass Panels (#1) and 1-1/2 from Side Mold (#3) on each Mirrored Glass Panel (#1). (See drawing on Page 2).

Thank you for purchasing a CW® Wardrobe Door. This is only part of a large line of wardrobe doors and high quality bath enclosure products. If you like this product, please contact Contractors Wardrobe® for more information about our many beautiful bath enclosures available in a vast array of colors and finishes to suit your designing needs.