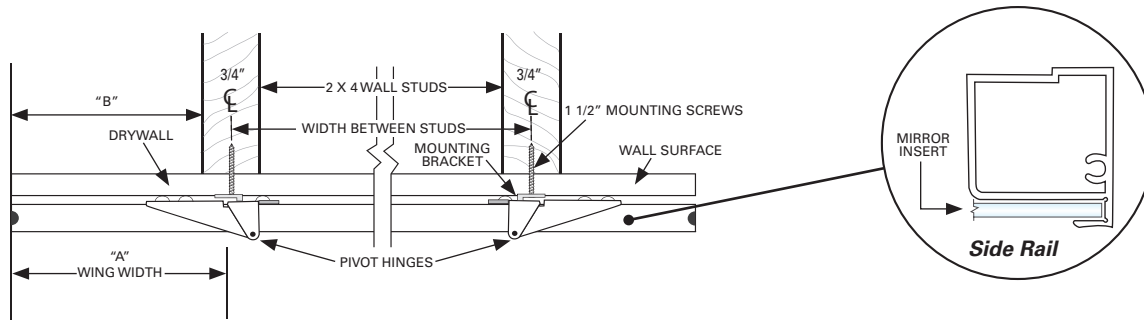


Style Lite[®] Vanity Flair



Photo shows a Bright Clear finish with Duraflect[®] copper-free mirror insert



Technical Illustration

Finishes:

- Bright Clear, Bright Gold, Brushed Nickel and Satin Clear

Insert Type:

- 4mm Duraflect[®] copper-free mirror
 - » Elimination of copper dramatically improves quality and life expectancy
 - » This creates a durable, superior grade mirror with exceptional quality

Frame Type:

- Heavy-duty commercial quality anodized aluminum framed wall vanity

Product Details:

- Heavy gauge 6063 extrusions (6463 is polished for bright colors)
- Color matched mirror handles
- Side rails are hollow extrusions (tubular) for added strength
- Mitered corners
- Wings larger than 18 x 36" are manufactured continuous piano hinge instead of pivot hinge
- Surface mounted for easy installation
- Duraflect[®] copper-free mirror panel has 400lb category II safety backing

Sizes:

- Standard sizes
 - » Width: 48", 60", 72", 84" and 96"
 - » Height: 36"
- Custom sizes
 - » Maximum opening height is 72"

Optional Upgrades:

- 1" bevel all
- Decorative painted glass inserts
- Decorative mirror inserts
- Face beveling design (v-groove)

