

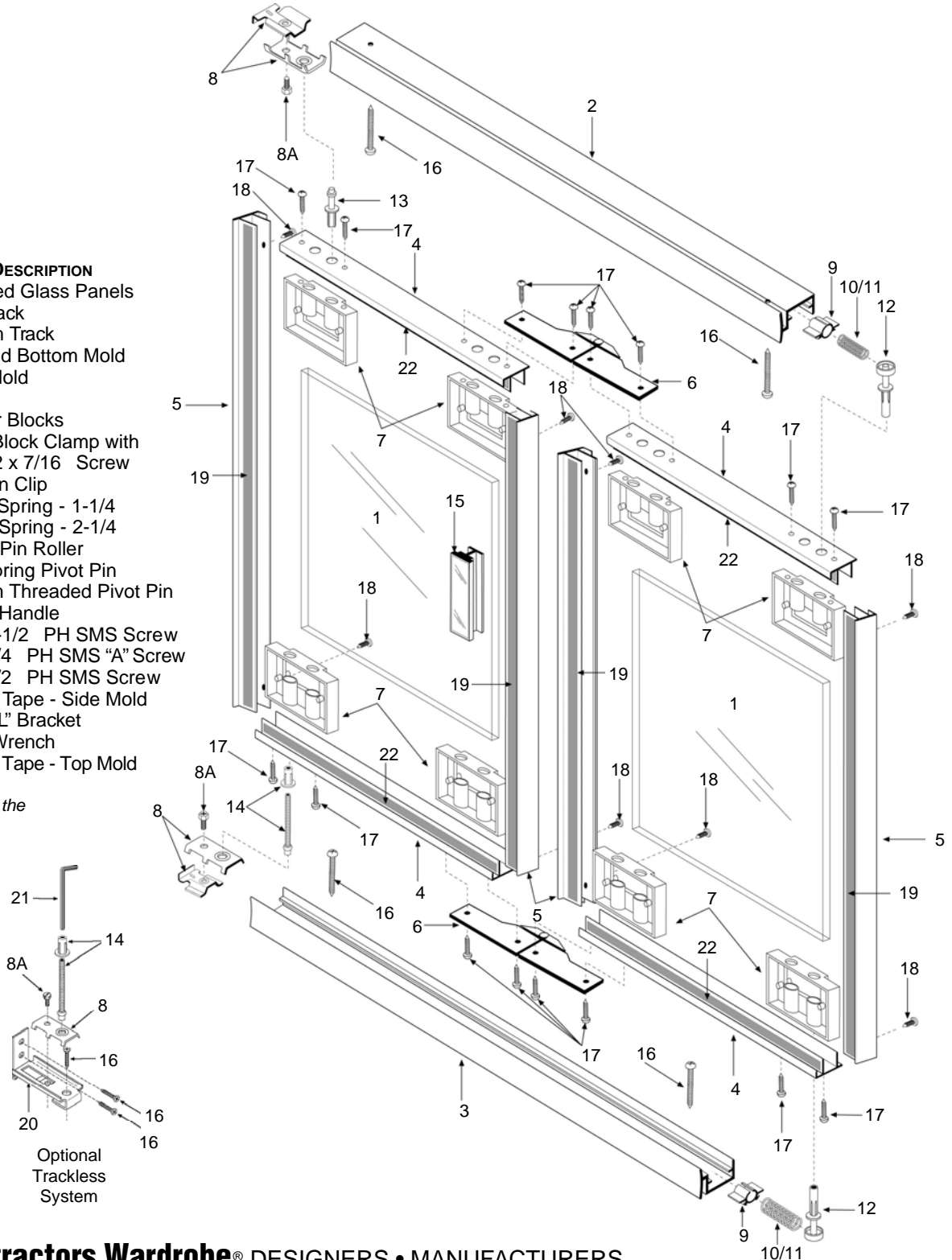
# Installation Instructions

## Model Brittany® Bi-Fold

### Illustrated Parts Breakdown (IPB)

No.	QTY	PART #	PART DESCRIPTION
1	2		Mirrored Glass Panels
2	1	A2040*	Top Track
3	1	A2040*	Bottom Track
4	4	A3050	Top and Bottom Mold
5	4	S5060	Side Mold
6	2	H6030	Hinge
7	8	C2050	Corner Blocks
8	2	P2000	Pivot Block Clamp with
8A	2		#10-32 x 7/16 Screw
9	2	C2030	Tension Clip
10	2	S0200	Small Spring - 1-1/4
11	2	S0205	Large Spring - 2-1/4
12	2	G0300	Guide Pin Roller
13	1	P2060	Top Spring Pivot Pin
14	1	P2050	Bottom Threaded Pivot Pin
15	1	HMBFA	Mirror Handle
16	5	S0095	#8 x 1-1/2 PH SMS Screw
17	16	S0130	#6 x 3/4 PH SMS "A" Screw
18	8	S0055	#8 x 1/2 PH SMS Screw
19	4	T0100	2-Way Tape - Side Mold
20	1	P2010	Pivot "L" Bracket
21	1	W8010	Allen Wrench
22	4	TO125	2-Way Tape - Top Mold

\* Top and Bottom Track are cut from the single piece of Track



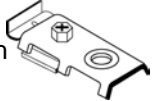


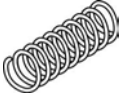
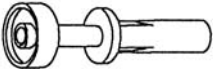
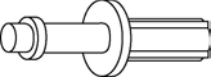

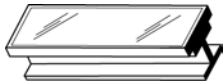



**Contractors Wardrobe®** DESIGNERS • MANUFACTURERS

26121 Avenue Hall • Valencia, CA 91355 • (661) 257-1177 • FAX: (661) 257-4907

Toll Free: (800) CW-DOORS • (800) 293-6677 • www.CwDoor.com

Congratulations on purchasing your new CW® Bi-Fold Wardrobe Door. Now that you have opened the package, we want you to verify that you have all the necessary hardware supplied with your doors.

### **PARTS CHECK LIST:**

No.	QTY	DESCRIPTION	
(#1)	2	Mirrored Glass Panels	
(#2)	1	Top Track	
(#3)	1	Bottom Track	
(#8)	2	Pivot Block Clamp with #10-32 x 7/16 Screw	
(#9)	2	Tension Clip	
(#10)	2	Small Spring	
(#11)	2	Large Spring	
(#12)	2	Guide Pin Roller	
(#13)	1	Top Spring Pivot Pin	
(#14)	1	Bottom Threaded Pivot Pin	
(#15)	1	Mirror Handle	
(#16)	5	#8 x 1-1/2 PH SMS Screw	
(#20)	1	Pivot "L" Bracket	
(#21)	1	Allen Wrench	

### **TOOL CHECK LIST:**

You will need:

- Phillips Screwdriver
- Tape Measure
- Level or Plumb Bob
- Pencil
- 3/8 Drill Motor and 3/16 and 1/8 Drill Bits
- Miter Box and Hacksaw
- Square
- Hammer
- Four 1 Screws and Screw Anchors (For Ceramic Tile Floors only. See Floor Check List #5)
- Adhesive (For Ceramic Tile Floors only. See Floor Check List #5)

### **FLOOR CHECK LIST**

#### **1. Do you have carpet?**

It is highly recommended that if you have carpet and do not have a cut-out in the carpet already, you should cut the carpet in order to install the Bottom Track (#3). If you use the optional Bottom Trackless System, cut hole in carpet to accommodate the Pivot "L" Bracket (#20). We do not recommend installing the Bottom Track (#3) directly on top of carpet.

#### **2. Do you have a concrete, wood floor or ceramic tile floor?**

- A. If it is a concrete floor, go to 3...
- B. If it is a wood floor, go to 4...
- C. If it is a ceramic tile floor, go to 5...

**3. If you have a concrete floor you will:** Drill holes with a 3/16 Masonry Drill Bit. Insert Screw Anchors and attach Bottom Track (#3) to floor with Screws or you may glue the Bottom Track (#3) to concrete floor with panel Adhesive (Drill Bit, Screws, Screw Anchors and Adhesive NOT supplied).

**4. If you have a wood floor you will:** Use the #8 x 1-1/2 PH SMS Screws (#16) to attach the Bottom Track (#3) to the wood floor.

**5. If you have a ceramic tile floor you will:** Drill holes with a 3/16 Masonry Drill Bit. Insert Screw Anchors and attach Bottom Track (#3) to floor with Screws. Or, you may glue the Bottom Track (#3) to the ceramic tile floor with panel Adhesive (Drill Bit, Screws, Screw Anchors and Adhesive are not supplied).

### **INSTALLING THE BI-FOLD WARDROBE DOORS**

#### **STEP 1 Removing the Existing Wardrobe Doors**

Remove old doors, brackets, top track and bottom track.

#### **STEP 2 Installing the Top Track**

NOTE: If you ordered a two-panel set, one long Track is supplied. You will cut this Track in half, per your measurements, to yield the Top Track (#2) and Bottom Track (#3).

If you have a four-panel set, you will find two boxes. In each box there are two Panels and one Track and Hardware package. Use one Track for the Top Track (#2) and the other for the Bottom Track (#3).

- A. Measure the opening at the top of the closet from wall to wall.
- B. Cut the new Top Track (#2) to this dimension. When cutting the Top Track (#2) we recommend that you use a Miter Box and Hacksaw for a straight cut.
- C. Hold the cut Top Track (#2) along the top of the closet opening and flush with the outside edge of the opening (See Figure 1A). With the Top Track (#2) in place, use your Pencil to mark the position of the pre-drilled holes in the Top Track (#2). Set the Top Track (#2) aside while you complete the next step.

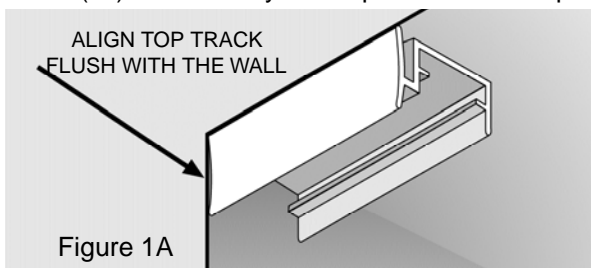


Figure 1A

- D. Drill holes using 1/8" Drill Bit where you made the pencil marks.
- E. Locate the Tension Clip (#9) and a Spring (#10/#11). The Small Spring (#10) is used for a two-panel set of doors, and the Large Spring (#11) is used for a four-panel set of doors. Insert the Spring (#10/#11) into the Tension Clip (#9). Now slide the Tension Clip (#9) and the Spring (#10/#11) into the Top Track (#2) (See IPB Drawing Page 1). If you are installing two Panels, the Tension Clip (#9) and the Small Spring (#10) will be next to the wall and the Guide Pin Roller (#12) pushed against them. If you are installing four Panels in the same closet opening, use two Tension Clips (#9) and the Large Spring (#11) in the center of the Top Track (#2). In either case, the Guide Pin Roller (#12) pushes against the Spring which makes the tension that makes the Panels stay closed.

- F. Locate the Pivot Block Clamp (#8) in the Hardware Bag. Loosen the #10-32 x 7/16" Screw (#8A) in the Pivot Block Clamp (#8) and slide the Pivot Block Clamp (#8) into the Top Track (#2) on the side where the door will pivot (See Figure 1B).

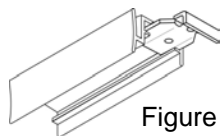


Figure 1B

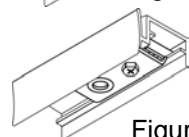


Figure 1C

Position the Pivot Block Clamp (#8) 1/2" to 3/4" in from the end of the Top Track (#2) (See Figure 1C). If you are installing a four-panel set, place a Pivot Block Clamp (#8) at both ends of the Top Track (#2).

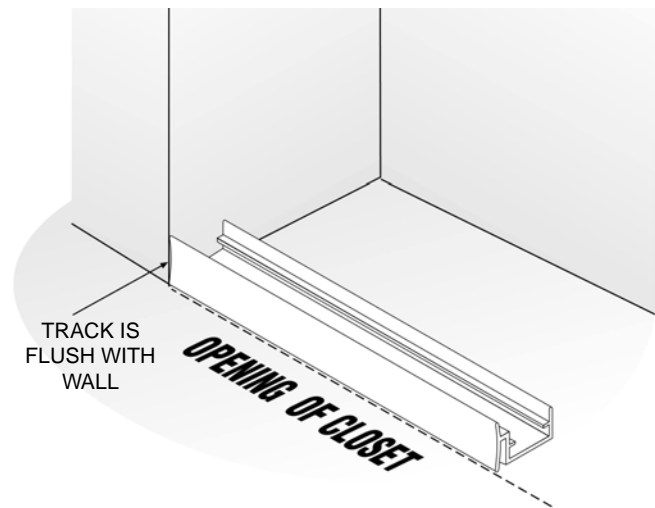


Figure 2A

- G. Complete installation of the Top Track (#2) by re-positioning it at the top of the closet opening using #8 x 1-1/2" PH SMS Screws (#16) to secure it in place.

### STEP 3 Installing the Bottom Track

NOTE: If you ordered a two-panel set, one long Track is supplied. You will cut this Track in half, per your measurements, to yield the Top Track (#2) and Bottom Track (#3).

If you have a four-panel set, you will find two boxes. In each box there are two Panels and one Track and Hardware package. Use one Track for the Top Track (#2) and the other for the Bottom Track (#3).

- A. Make sure that you have used the Floor Check List to determine which floor and installation you will use.

NOTE: If you do not want to use a Bottom Track (#3) or prefer to not cut the carpet, see **Step 4: Installing the Optional Bottom Trackless System.**

- B. Measure inside bottom closet opening from wall to wall.
- C. Using the Miter Box and Hacksaw, cut the Bottom Track (#3) to this dimension.
- D. Place the Bottom Track (#3) at the bottom of the closet opening, flush with the edge of the closet opening and outer walls (See Figure 2A). Holding the Bottom Track (#3) in place, with your Pencil mark the position of the pre-drilled holes.
- E. Set the Bottom Track (#3) aside and, according to the type of floor you have, drill holes where you made the pencil marks.

F. Locate the Tension Clip (#9) and a Spring (#10/#11). The Small Spring (#10) is used for a two-panel set of doors, and the Large Spring (#11) is used for a four-panel set of doors. Insert the Spring (#10/#11) into the Tension Clip (#9). Now slide the Tension Clip (#9) and the Spring (#10/#11) into the Bottom Track (#3) (See IPB Drawing Page 1). If you are installing two Panels, the Tension Clip (#9) and the Small Spring (#10) will be next to the wall and the Guide Pin Roller (#12) pushed against them. If you are installing four Panels in the same closet opening, use two Tension Clips (#9) and the Large Spring (#11) in the center of the Bottom Track (#3). In either case, the Guide Pin Roller (#12) pushes against the spring which makes the tension that makes the panels stay closed.

G. Locate the Pivot Block Clamp (#8) in the Hardware Bag. Loosen the #10-32 x 7/16 Screw (#8A) in the Pivot Block Clamp (#8) and slide the Pivot Block Clamp (#8) into the Bottom Track (#3) on the side where the door will pivot (See Figure 2B). Position the Pivot Block Clamp (#8) 1/2 to 3/4 in from the end of the Bottom Track (#3) (See Figure 2C). If installing a four-panel set, place a Pivot Block Clamp (#8) at both ends of the Bottom Track (#3).

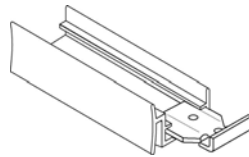


Figure 2B

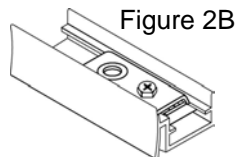


Figure 2C

H. Complete installation of the Bottom Track (#3) by re-positioning it at the bottom edge of the closet opening and secure it in place per your Floor Check List (Concrete and tile floors require Screw Anchors and Screws that are not supplied).

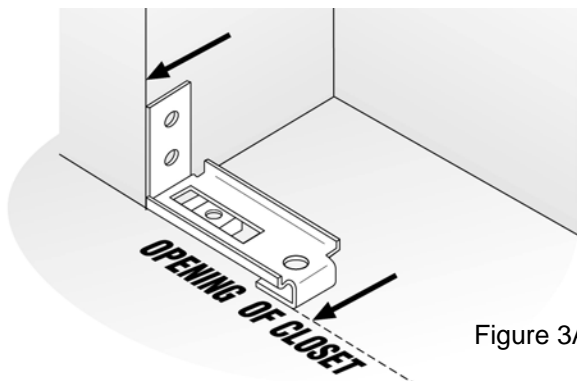


Figure 3A

#### STEP 4 Installing the Optional Bottom Trackless System

NOTE: You must cut a hole in the carpet to accommodate the Pivot "L" Bracket (#20). The bracket *must* mount to the floor. **IMPORTANT NOTE:** Without the Bottom Track (#3) the door Panels may require

special adjustments or may tend to sag. See **Step 9: Horizontal Adjustment.** For optimum performance from your Bi-Fold Door, we strongly recommend installing the Bottom Track (#3) as described. You may also see a 1-1/4 gap from the floor to the bottom of the door in the absence of the Bottom Track (#3).

A. Locate the Pivot "L" Bracket (#20). Place Pivot "L" Bracket (#20) so that the front edge of the Pivot "L" Bracket (#20) is flush to the front of the closet opening (See Figure 3A).

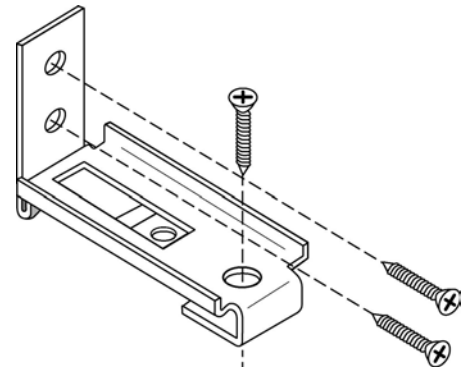


Figure 3B

B. With your Pencil, mark only where the screw hole in the Pivot "L" Bracket (#20) meets the floor.

NOTE: DO NOT MARK THE SCREW HOLES FOR THE WALL AT THIS TIME. It is important that you secure the bottom screw to the floor before you mark the holes in the wall. Otherwise, the holes in the wall may not align correctly for the final installation of the Pivot "L" Bracket (#20).

C. Set the Pivot "L" Bracket (#20) aside and, based on the type of floor you have, drill a hole where you made the pencil mark. Insert a Screw Anchor into the floor and secure the Pivot "L" Bracket (#20) with a Screw (Use the correct type of Screw as recommended for the type of floor you have. See "Floor Check List"). If installing a four-panel set, place a Pivot "L" Bracket (#20) at both sides of the closet opening.

D. With the Pivot "L" Bracket (#20) screwed to the floor, mark the holes where the Pivot "L" Bracket (#20) meets the wall.

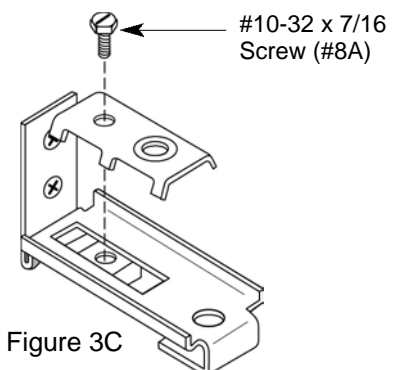


Figure 3C

- E. Remove the Pivot "L" Bracket (#20) and drill holes into the wall where you made the pencil marks. Complete installation of the Pivot "L" Bracket (#20) by securing it with Screws to the floor and the wall (See Figure 3B). Note, if you are not screwing directly into wood, be sure to use a Screw Anchor (not supplied) for each Screw in the wall.
- F. With the Pivot "L" Bracket (#20) securely installed, locate the Pivot Block Clamp (#8) and the #10-32 x 7/16 Screw (#8A), remove the top half of the Pivot Block Clamp (#8) and discard the bottom half. Use the #10-32 x 7/16 Screw (#8A), which came with the Pivot Block Clamp (#8), to attach the top half of the Pivot Block Clamp (#8) to the Pivot "L" Bracket (#20) which is mounted to the floor and wall. See Figure 3C.

### STEP 5 **Adjusting the Pivot Block Clamp**

- A. Use your Plumb Bob and line to adjust the Pivot Block Clamp (#8). This will ensure that your doors work properly (See Figure 4).
- B. Loosen clamp screw in Top Track (#2) and Bottom Track (#3). Shift clamps in opposite direction until Plumb tool is directly over the pin hole. Tighten screws.



Figure 4

### STEP 6 **Installing the Pivot Pins in Panels**

- A. Locate the Bottom Threaded Pivot Pin (#14) and the Allen Wrench (#21) in the Hardware Bag.

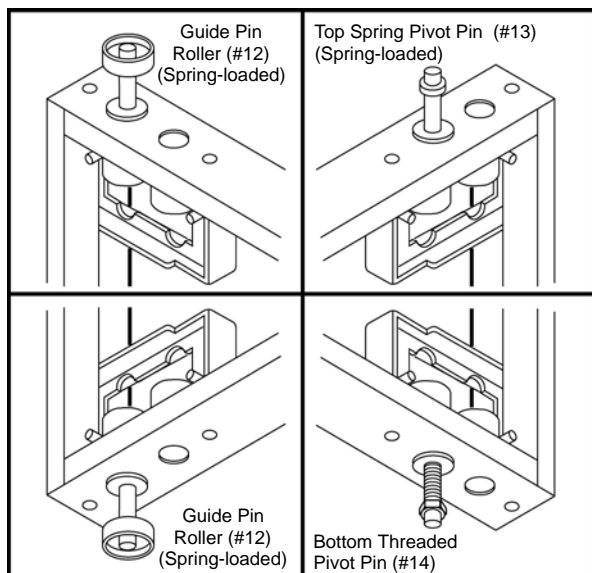


Figure 5

- B. Lay the Panels face down on a padded floor and insert the Bottom Threaded Pivot Pin (#14) into the inside hole at the bottom of the Panel. The Bottom Threaded Pivot Pin (#14) will be the pivot side of the door (See Figure 5).
- C. Once the Bottom Threaded Pivot Pin (#14) is inserted into the bottom pivot side of the door, insert the Allen Wrench (#21) through the top of the corner block to turn the Bottom Threaded Pivot Pin (#14) down (clockwise) 3/8 .
- D. Locate the Top Spring Pivot Pin (#13) in the bag of hardware. Insert into the top inside hole of the pivot side of the Panel (See Figure 5).
- E. Locate the two Guide Pin Rollers (#12). Insert into the outside hole of the top and bottom of the Panels (See Figure 5).

NOTE: If you want to change the opening direction of the door, switch location of B and C at the top of the door and switch location of A and C at the bottom of the door (See Figure 6).

### STEP 7 **Installing the Doors and Adjusting the Height**

NOTE: When adjusting (raising) the door Panels, please relieve the weight of the Panels on the Bottom Threaded Pivot Pins (#14) by lifting the Panels up while adjusting the Bottom Threaded Pivot Pin (#14) nut.

- A. Insert the Bottom Threaded Pivot Pin (#14) into lower Pivot Block Clamp (#8) hole (See Figure 6-A).
- B. Pull upper Top Spring Pivot Pin (#13) down and engage in Pivot Block Clamp (#8) hole (See Figure 6-B).
- C. Pull remaining pins down at top and up on the bottom and engage in track (See Figure 6-C).
- D. Turn Bottom Threaded Pivot Pin (#14) clockwise until top of door is 1/8 (3mm) below Top Track (#2) (See Figure 6-A).

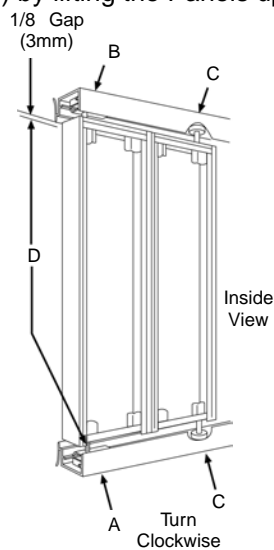


Figure 6

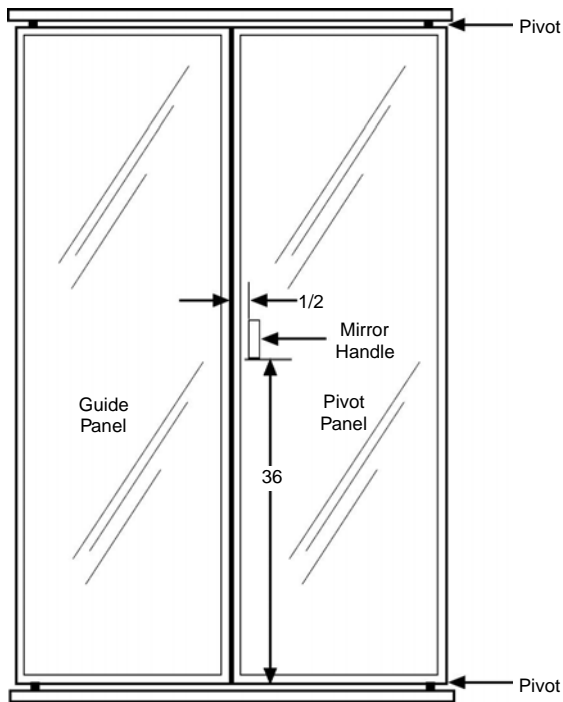


Figure 7

### STEP 8 Installing the Door Handle

- Locate the Mirror Handle (#15) in the Hardware Bag.
- Clean the mirror so that the Mirror Handle (#15) adheres properly.
- Measure from the bottom of the pivot Panel, up 36 and mark the mirror. Next, make a mark 1/2 in from the edge of the mirror. See Figure 7.
- Peel the paper backing from the Mirror Handle (#15). Carefully align the bottom of the Mirror Handle (#15) with the 36 mark and the side with the mark 1/2 in. When the Mirror Handle (#15) is properly aligned, press it onto the mirror.
- If you are installing a four-panel set, repeat steps 8-B, 8-C and 8-D above.

### STEP 9 Horizontal Adjustment (If Necessary)

If the doors are not in-line, loosen the Pivot Block Clamp Screw (#8A) in the Top Track (#2) and Bottom Track (#3). Shift the Pivot Block Clamps (#8) in opposite directions to correct. Tighten the screws. See Figure 8.

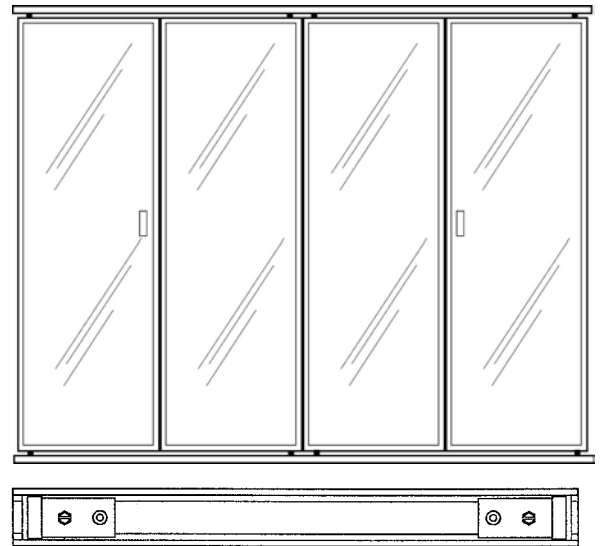


Figure 8

### STEP 10 Limiting Door Travel (If Desired)

Remove Door. Unsnap upper Guide Pin Roller (#12) from present location and snap into adjacent hole. Repeat for the lower Guide Pin Roller (#12). See Figure 9.

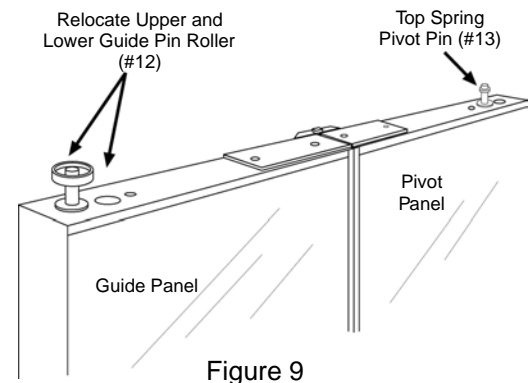
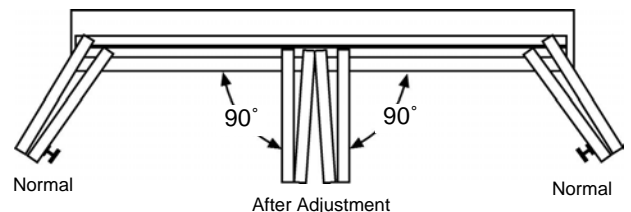


Figure 9



Thank you for purchasing a CW® Wardrobe Door. This is only one of a large line of wardrobe doors and high quality bath enclosure products. If you like this product, please contact Contractors Wardrobe® for more information about our many beautiful bath enclosures available in a vast array of colors and finishes to suit your designing needs.