

# ***Installation Instructions***

## ***Model Aristocrat™ Vanity Flair***



**Quality.**

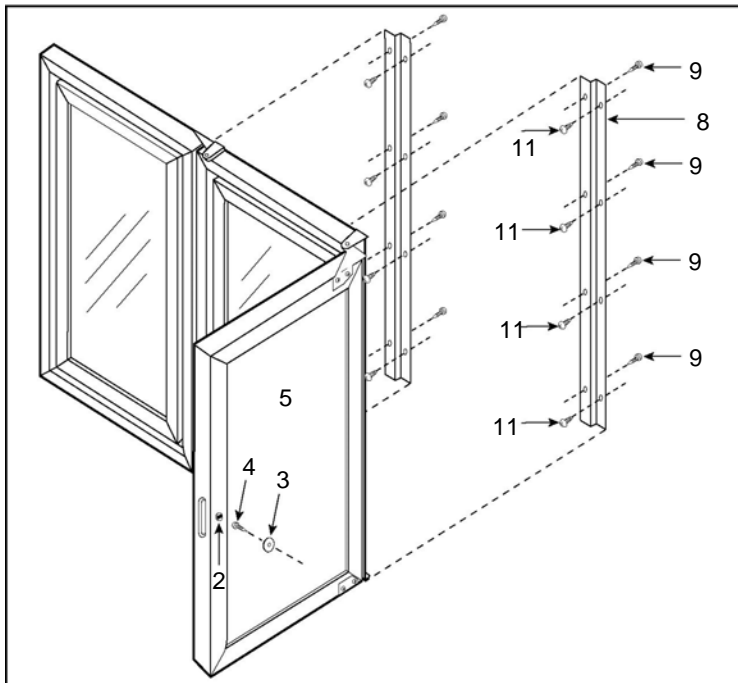
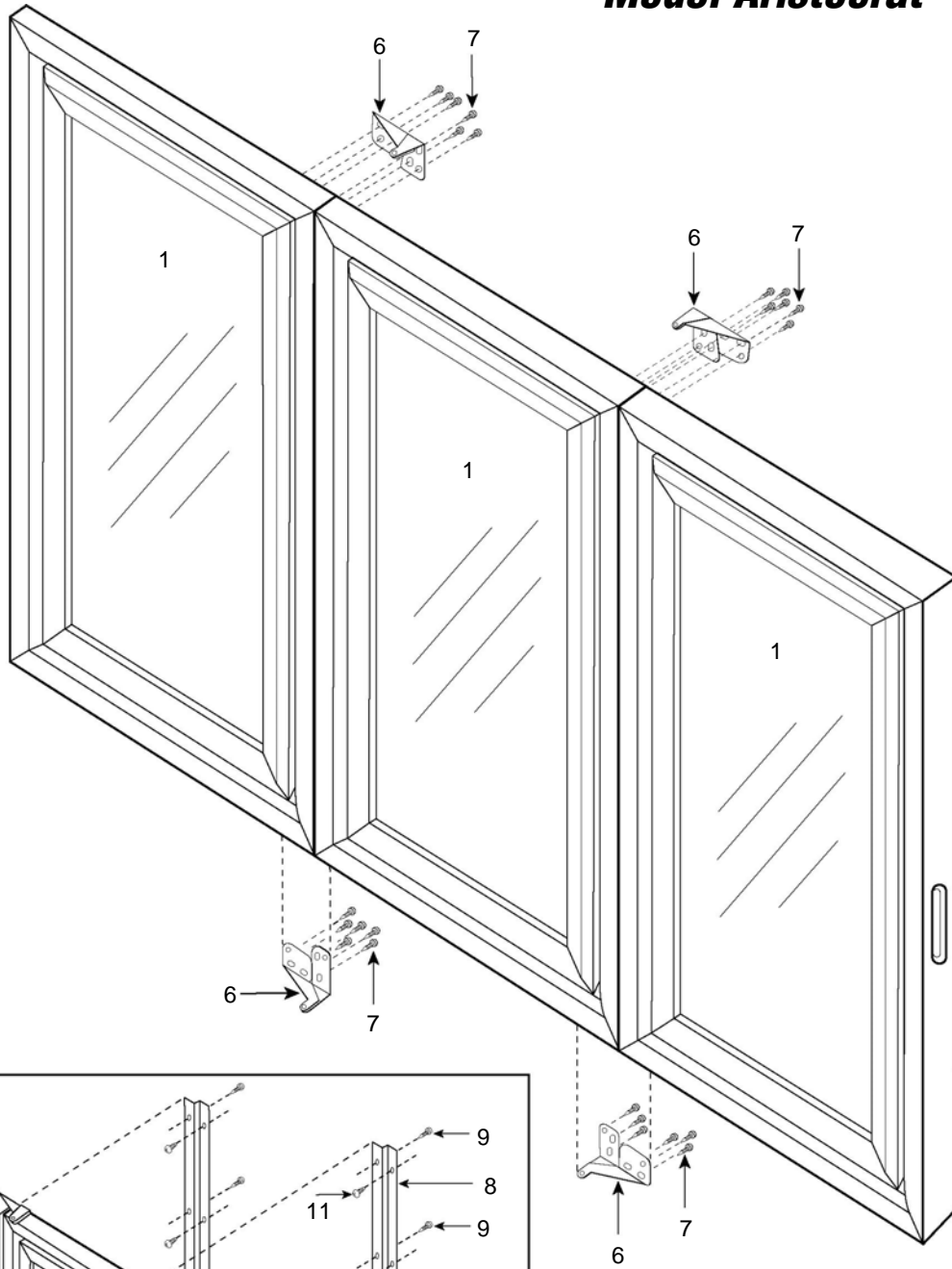
*"We Set The Standard."*



**Contractors Warehouse®**

DESIGNERS • MANUFACTURERS • TOLL FREE: (800) CW-DOORS • (800) 293-6677 • [www.cwdoor.com](http://www.cwdoor.com)  
26121 Avenue Hall • Valencia, CA 91355 • (661) 257-1177 • FAX: (661) 257-4907

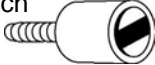

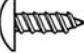
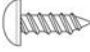


# Illustrated Parts Breakdown (IPB) Model Aristocrat™ Vanity Flair



No.	QTY	PART #	PART DESCRIPTION
#1	3		Mirrored Glass Panels
#2	2	C1000	Magnetic Oak Catch
#3	2	S0240	Strike Washer
#4	2	S0087	#6 x 1/2 Screws
#5	2	B1010	Masonite
#6	4	H6010	Pivot Hinges
#7	24	S0055	#8 x 1/2 Truss Screws
#8	2	A6000MF	Brackets
#9	8	S0084	#6 x 3/8 Screws
#10	2	S0180	Anchors
#11	8	S0095	#8 x 1-1/2 PH SMS Screws

Congratulations on purchasing your new CW® Aristocrat™ Vanity Flair. Now that you have opened the package, we want you to verify that you have all the necessary hardware supplied with your vanity.

### **PARTS CHECK LIST:**

No.	QTY	DESCRIPTION
(#1)	3	Mirrored Glass Panels
(#2)	2	Magnetic Oak Catch Installed in Panel 
(#3)	2	Strike Washer
(#4)	2	#6 x 1/2 Screws 
(#5)	2	Masonite
(#6)	4	Pivot Hinges
(#7)	24	#8 x 1/2 Truss Screws 
(#8)	2	Brackets
(#9)	8	#6 x 3/8 Screws 
(#10)	2	Anchors 
(#11)	8	#8 x 1-1/2 PH SMS Screws 

If you find that any parts are damaged or missing, refer to the parts list and IPB Drawing and contact Contractors Wardrobe®'s Customer Service Department at (661) 257-1177.

### **TOOL CHECK LIST**

**You will need:**

- Phillips Screwdriver
- Tape Measure
- Hammer
- Pencil
- 3/8 Drill Motor and 3/16 and 1/8 Drill Bits
- Square or Level

## **INSTALLING THE ARISTOCRAT™ VANITY FLAIR**

### **STEP 1 Measure for Center of Opening**

Place Mirrored Glass Panels (#1) onto back splash. Using Tape Measure, measure left and right sides to find center of opening (You may need a second person to help hold the Mirrored Glass Panels (#1) in place, while measuring the opening to find the center).

### **STEP 2 Mounting the Vanity Flair**

Place the Mirrored Glass Panels (#1) against the wall where you want to install it. Open the left wing and mark the wall through all the holes in the Bracket (#8). Next, open the right wing and mark the wall through all the holes in the Bracket (#8). Next, move the Mirrored Glass Panels (#1) out of the way. Carefully drill a 1/8 hole in the wall where you marked the holes through the Bracket (#8). If you did not drill into a wooden stud, you will need to use wall anchors. After you drill all of the holes and install the anchors, if necessary, move the Mirrored Glass Panels (#1) back into place. Next, insert the #8 x 1-1/2 PH SMS Screws (#11) through the holes in each Bracket (#8).

### **STEP 3 Installing the Strike Washer**

Place #6 x 1/2 Screw (#4) inside the Strike Washer (#3) and place onto Magnetic Oak Catch (#2). Close door with screw facing wall. This will mark where your #6 x 1/2 Screw (#4) and Strike Washer (#3) will go. Open wing and remove from Magnetic Oak Catch (#2). Install #6 x 1/2 Screw (#4) and Strike Washer (#3) where your mark is on the wall. Repeat this step for the second wing. Your Aristocrat™ Vanity Flair is complete.

Thank you for purchasing a CW® Wardrobe Door. This is only part of a large line of wardrobe doors and high quality bath enclosure products. If you like this product, please contact Contractors Wardrobe® for more information about our many beautiful bath enclosures available in a vast array of colors and finishes to suit your designing needs.