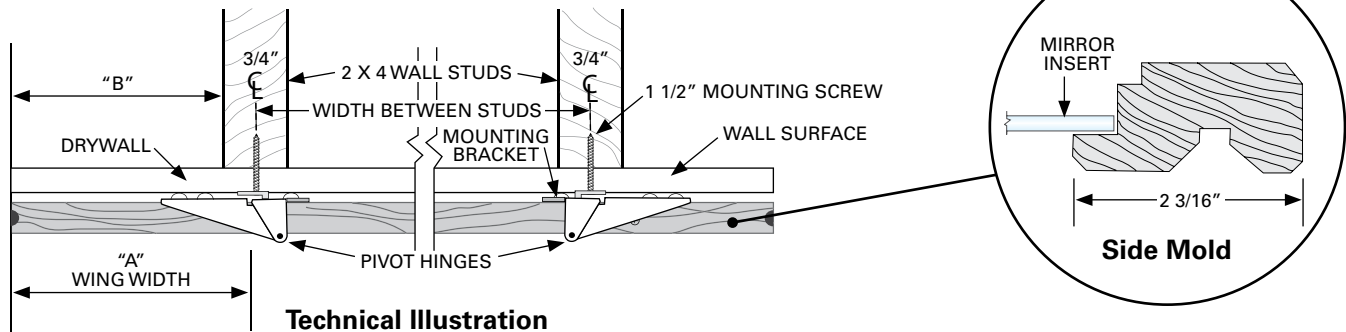


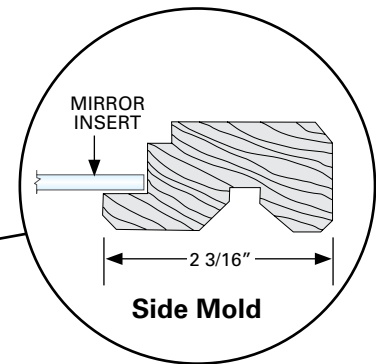
# Aristocrat™ Vanity Flair



Pictured in a Clear Acrylic Sealer finish with a Duraflect® copper-free mirror



Technical Illustration



**Finishes:**

- Clear Acrylic Sealer, Dark Stain, Light Stain, Medium Stain, Red Mahogany Stain, Whitewash Stain and Unfinished (not warranted against warpage)

**Insert Type:**

- 3mm Duraflect® copper-free mirror
  - » Elimination of copper dramatically improves quality and life expectancy
  - » This creates a durable, superior grade mirror with exceptional quality

**Frame Type:**

- 2 1/4" wide solid oak hardwood (milled from 5/4" oak) frame molding
- Frame molding stained and finished using 5 stage process

**Track and Channel:**

- None

**Product Details:**

- Mitered corners
- Wings larger than 18" X 36" are manufactured with continuous piano hinge instead of pivot hinge
- All corners glued and secured by two tapered corner fasteners
- Surface mounted with all screws concealed
- Duraflect® copper-free mirror panel has 400lb category II safety backing

**Sizes:**

- Standard sizes
  - » Width: 48", 60", 72", 84" and 96"
  - » Height: 36"
- Custom sizes
  - » Maximum opening height is 72"

**Optional Upgrades:**

- 1/2" bevel all
- Decorative back painted glass inserts
- Decorative mirror inserts
- Decorative wood grain inserts
- Face beveling design (v-groove)

