

Model 5400H / 7000H Illustrated Installation Instructions



Contractors Wardrobe®

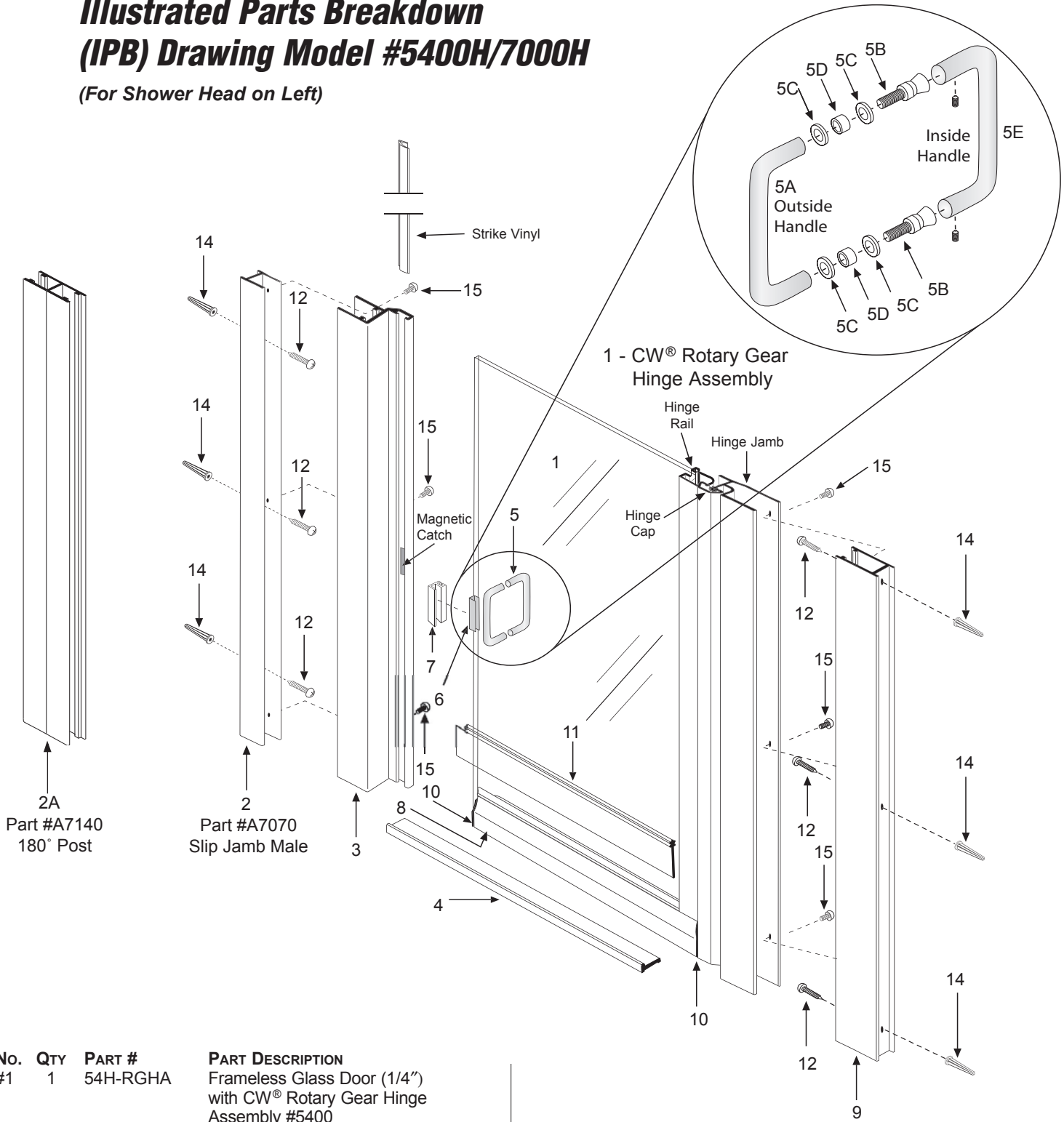
DESIGNERS • MANUFACTURERS

26121 Avenue Hall • Valencia, CA 91355 • (661) 257-1177 • (661) 257-4907

TOLL FREE: (800) CW-DOORS • (800) 293-6677 • www.CwDoor.com

Illustrated Parts Breakdown (IPB) Drawing Model #5400H/7000H

(For Shower Head on Left)



No.	QTY	PART #	PART DESCRIPTION
#1	1	54H-RGHA	Frameless Glass Door (1/4") with CW® Rotary Gear Hinge Assembly #5400
#1	1	7H-RGHA	Frameless Glass Door (3/8") - #7000
#2	1	A7070	Slip Jamb Male
#2A	1	A7140	180° Post
#3	1	A7065	Slip Jamb Female with Magnetic Catch and Strike Gasket
#4	1	A7110	Dam Strip
#5	1	HA166BTB	Back to Back "C" Pull Handle
#6	1	G3050	Gasket - #5400/#7000
#7	1	SB5014	Strike Bracket #5400
#7	1	SBA7H	Strike Bracket #7000
#8	1	A7286	Drip Rail - #5400
#9	1	A7055	Wall Jamb

No.	QTY	PART #	PART DESCRIPTION
#10	2	C1070G	Gold End Cap - #5400
		C1070C	Silver End Cap - #5400
		C1070W	White End Cap - #5400
#11	1	P4060	Drip Rail with Wipe - #7000
#12	6	S82060	Gold #8 x 1-1/2" PH SMS Screw
		S82065	Silver #8 x 1-1/2" PH SMS Screw
#13	3	S82080	Gold #8 x 2-1/2" SMS Screw
		S82085	Silver #8 x 2-1/2" SMS Screw
#14	6	S0170	Screw Anchor
#15	6	S81010	Gold #6 x 1/4" "B"-Point Screw
		S81015	Silver #6 x 1/4" "B"-Point Screw

In this instruction booklet we will walk you through the installation of your new shower door.

DO NOT REMOVE your existing shower door until you check your new shower door kit for all the proper parts.

Make sure that you have all the proper tools required to assemble your new shower door. Use this check list.




Tools you will need:

- Phillips screwdriver
- Level
- Electric drill
- 1/8" Drill Bit (for fiberglass stall)
- 3/16" Masonry Drill Bit (for tile stall)
- 7/64" Drill Bit
- Pencil
- Hammer
- Caulking Gun and one tube of Clear Tub/Tile Silicone
- Tape Measure
- Safety Glasses

CAUTION: Wear safety glasses whenever drilling or cutting. Handle the frameless glass panel carefully. The corners of the panel can damage tile and floor covering. Tempered glass cannot be cut. Do NOT let the corners of the frameless Door Panel strike any hard surface, wall or floor. Even tempered glass may be shattered in this manner.

STEP 1 Checking Contents of Shower Door Package

DO NOT use a razor blade to cut open the paper wrapping as you may scratch the contents. Use the IPB Drawing to help you locate the following parts:

No.	Qty.	Description
(#1)	1	Frameless 1/4" Glass Door - #5400 with CW® Rotary Gear Hinge Assembly
(#1)	1	Frameless 3/8" Glass Door - #7000 with CW® Rotary Gear Hinge Assembly
(#2)	1	Slip Jamb Male
(#3)	1	Slip Jamb Female with Magnetic Catch and Strike Gasket
(#4)	1	Dam Strip
(#5)	1	Back to Back "C" Pull Handle - #5400/#7000
(#8)	1	Drip Rail - #5400
(#11)	1	Drip Rail with Wipe - #7000
(#12)	6	#8 x 1-1/2" PH SMS Screws
		
(#13)	3	#8 x 2-1/2" SMS Screws
(#14)	6	Screw Anchors 
(#15)	6	#6 x 1/4" "B"-Point Screws 

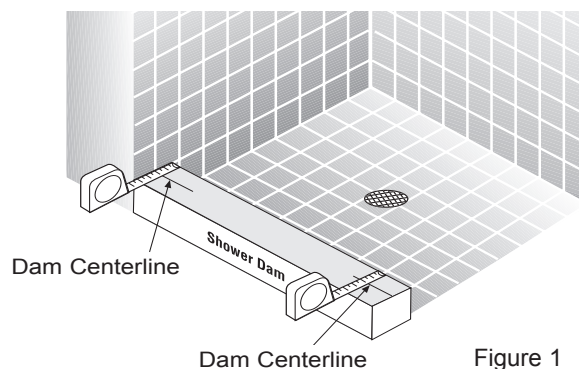
If you find that any parts are damaged or missing, refer to the parts list and IPB Drawing and contact Contractors Wardrobe®'s Customer Service Department at 661-257-1177. NOTE: Views and directions given in these instructions — left, right, front, back, etc. — are from outside of the enclosure, facing the shower.

STEP 2 Removing the Existing Enclosure

- A. Remove existing shower door and all existing parts to that door assembly. Remove all screw anchors from the wall. Clean silicone sealant or tub caulking and any other contaminants from tub and wall.

STEP 3 Installing The Jamb On The Wall

NOTE: The wall opposite the shower head and controls will be the hinge side. Some situations may require the door to hinge on the same side as the shower head and controls.



- A. Using the Tape Measure, find the center of the shower dam. Make a mark where the center is at both ends of the dam. (See Figure 1).
- B. This shower enclosure comes with the option for two inches of adjustment. Measure your shower dam to determine if the opening is at the smallest or largest measurement this enclosure can cover. Locate the three jamba that can be used for the walls. They are the Wall Jamb (#9), Slip Jamb Male (#2) and 180° Post (#2A). The Wall Jamb (#9) will be placed on the hinge side of the door. For the smallest opening the Slip Jamb Male (#2) will be placed on the striking or closing side of the door and for the largest opening the 180° Post (#2A) will be placed on the striking or closing side of the door.

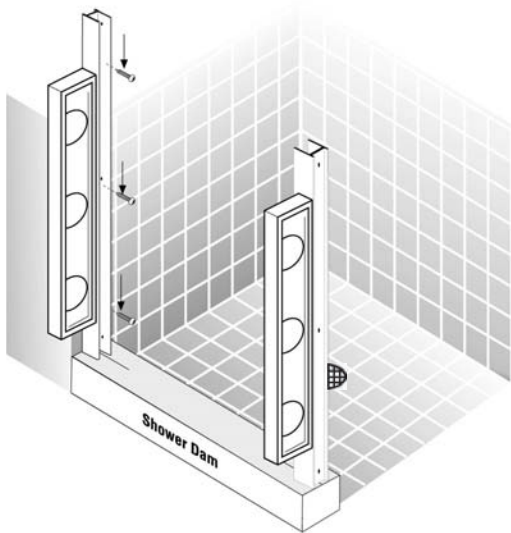


Figure 2

- C. After determining which jambs will be used, place the Wall Jamb (#9) at the centerline mark on the shower dam on the hinge side wall (See Figure 2). Use the level to align the Wall Jamb (#9) straight up and down. Use the pencil tip in each of the pre-drilled holes in the Wall Jamb (#9) to mark the wall. Set the Wall Jamb (#9) aside.
- D. Using either a 1/8" Drill Bit (for a fiberglass enclosure) or a 3/16" Masonry Drill Bit (for tile/marble) drill holes where you made the pencil marks. If installing in a tile/marble enclosure, gently tap a Screw Anchor (#14) into each hole. **DO NOT use the Screw Anchors (#14) for a fiberglass enclosure.**
- E. Position the Wall Jamb (#9) over the holes and use three #8 x 1-1/2" PH SMS Screws (#12) to secure the Wall Jamb (#9) to the wall.
- F. Repeat steps 3C-3E to install the other determined jamb (Slip Jamb Male (#2) or 180° Post (#2A)). If the 180° Post (#2A) is used, secure it to the wall with three #8 x 2-1/2" SMS Screws (#13).

NOTE: After installation is complete, there will be one jamb remaining.

STEP 4 **Installing the Slip Jamb Female**

- A. Locate the Slip Jamb Female (#3) (Comes with a pre-installed Strike Vinyl and Magnetic Catch) and three #6 x 1/4" "B"-Point Screws (#15).

- B. Place the Slip Jamb Female (#3) over the Slip Jamb Male (#2) or 180° Post (#2A) on the same side as the shower head with the Magnetic Catch and Strike Vinyl facing **OUT**, towards you as you look into the shower (See Figures 3 and 4). Use the Level to adjust the Slip Jamb Female (#3) vertically. **DO NOT** secure at this time.

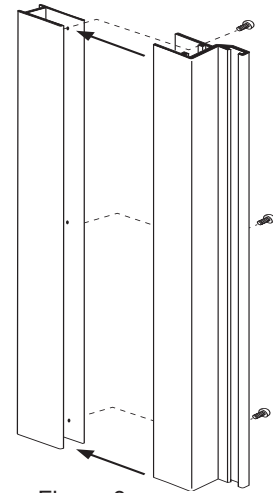
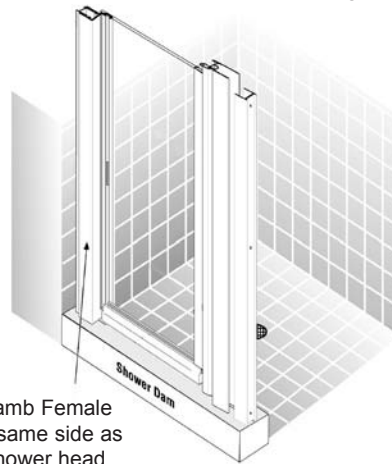


Figure 3



Slip Jamb Female on the same side as the shower head

Figure 4

STEP 5 **Installing the Door**

NOTE: Installing the Door may be slightly easier with another person assisting you.

- A. Locate the Frameless Glass Door (#1) with attached CW® Rotary Gear Hinge Assembly (#1) and three #6 x 1/4" "B"-Point Screws (#15).
- B. The Frameless Glass Door (#1) will install over the Wall Jamb (#9) on the wall opposite the shower head. Make sure that the hinge cap of the CW® Rotary Gear Hinge Assembly (#1) faces out of the shower enclosure as shown in Figure 5.

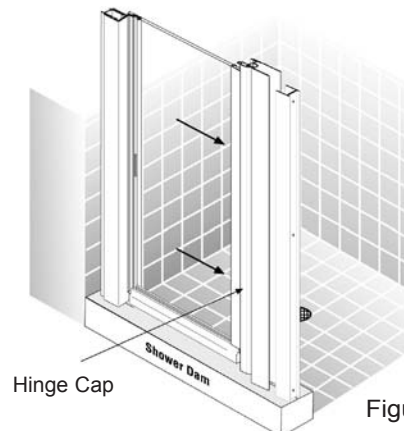


Figure 5

- C. Carefully lift the door and slide the hinge jamb portion of the CW® Rotary Gear Hinge Assembly (#1) over the Wall Jamb (#9) (See Figure 5).
- D. Adjust the position of the CW® Rotary Gear Hinge Assembly (#1) on the Slip Jamb Male (#2) until there is a 1/8" gap along the entire length of the door on the strike side.
- E. Standing inside the shower, use the 7/64" Drill Bit to drill a hole 6" down from the top of the hinge jamb of the CW® Rotary Gear Hinge Assembly (#1) through the both Slip Jambs. Drill another hole 6" up from the bottom and also one in the middle. Secure the CW® Rotary Gear Hinge Assembly (#1) to the Wall Jamb (#9) with the three #6 x 1/4" "B"-Point Screws (#15) (See Figure 5).
- F. Using the 7/64" Drill Bit, drill a hole 6" down from the top of the Slip Jamb Female (#3) through the Slip Jamb Male (#2) or the 180° Post (#2A). Drill another hole 6" up from the bottom and also one in the middle. Secure the Slip Jamb Female (#3) to the Slip Jamb Male (#2) or the 180° Post (#2A) with three #6 x 1/4" "B"-Point Screws (#15) (See Figure 3).

STEP 6 Installing the Drip Rail

Model #5400H / #7000H

- A. Locate the correct Polycarbonate Drip Rail - 5400 (#8) or Drip Rail with Wipe - 7000 (#11).
- B. Line up the Drip Rail - 5400 (#8) or Drip Rail with Wipe - 7000 (#11) with the glass. Make sure that the notched side of the Drip Rail - 5400 (#8) or Drip Rail with Wipe - 7000 (#11) is on the side of the door handle. The slanted side of the Drip Rail - 5400 (#8) or Drip Rail with Wipe - 7000 (#11) will face into the inside of the shower. Cut the hinge side flush. Remove the two-way tape from the Drip Rail - 5400 (#8) or Drip Rail with Wipe - 7000 (#11) and place it on the bottom of the glass.

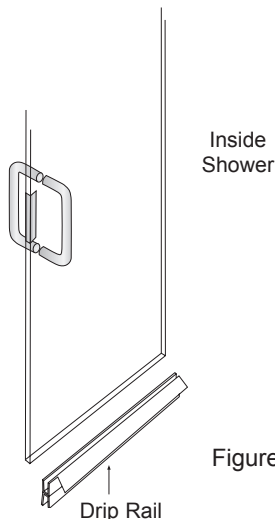


Figure 6A

STEP 7 Installing the Back-To-Back "C" Pull Handle

- A. Locate the Back-to-Back "C" Pull Handle Assembly (#5), Gasket (#6) and Strike Bracket (#7).
- B. First, assemble the large screw (#5B) and thread the clear washer (#5C) onto the screw, followed by the bushing (#5D) (See IPB Drawing). Standing inside the unit, thread the large screw (#5B) (with clear washer (#5C) and bushing (#5D) through the glass. Thread the second clear washer (#5C) onto the large screw (#5B) (this washer will be on the outside of the unit). Tighten the large screw (#5B) into the Outside Handle (#5A) (threaded). **DO NOT SECURE AT THIS TIME.**
- C. Repeat Step B for the bottom half of the handle. Secure the large screws (#5B) into the Outside Handle (#5A).
- D. Locate the Inside Handle (#5E) (with set screws facing down towards the floor). Slide over the exposed large screw (#5B) and tighten with supplied Allen Wrench.
- E. Position the Gasket (#6) midway on the Frameless Glass Door (#1), wrapping it around the edge of the Door as shown in Figure 7.

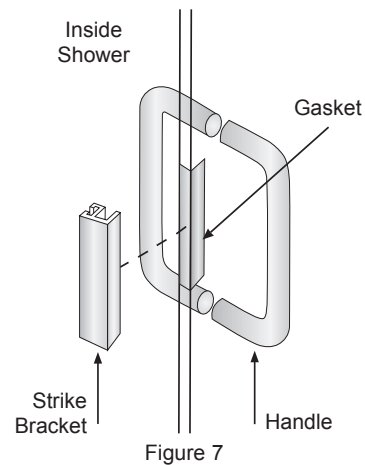


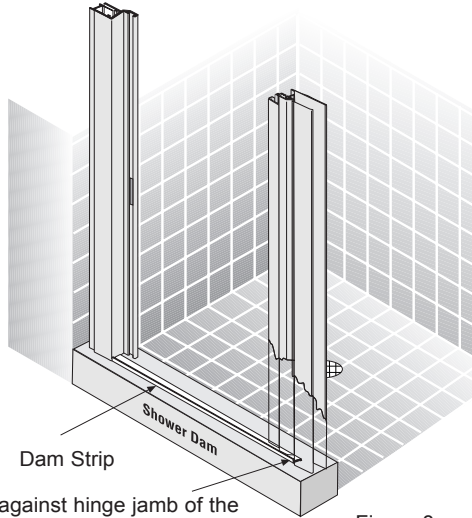
Figure 7

- F. Place the Strike Bracket (#7) with the strike plate facing *into* the shower over the Gasket (#6). The Strike Bracket (#7) with its magnetic catch should center on the magnetic catch in the Slip Jamb Female (#3).

TIP: To make sliding the Strike Bracket (#7) onto the door a little easier, try rubbing a little hand soap on the leading edge of the Gasket (#6).

STEP 8 **Installing the Dam Strip**

- A. Locate the Dam Strip (#4). Do not remove the backing from the two-way tape on the Dam Strip (#4).
- B. Measure and fit the Dam Strip (#4) between the Slip Jamb Female (#3) and the hinge jamb of the CW® Rotary Gear Hinge Assembly (#1). Cut the Dam Strip (#4) straight to fit in between both the Slip Jamb Female (#3) and the hinge jamb of the CW® Rotary Gear Hinge Assembly (#1) (See Figure 8).



- C. Make sure that the top surface of the shower dam is completely clean of oil, dust, debris or other contaminants. Peel off the backing on the adhesive tape on the bottom of the Dam Strip (#4) and press it into place on top of the shower dam.

STEP 9 **Silicone Sealing the Enclosure**

Using clear Tub/Tile Silicone, seal all edges, both interior and exterior where the Slip Jamb Male (#2), Slip Jamb Female (#3), bottom of the CW® Rotary Gear Hinge Assembly (#1) and Dam Strip (#4) meet and where they meet the tile or fiberglass.

NOTE: Silicone sealant must cure for 24 hours before you use your new enclosure. Silicones may vary. Please follow curing instructions on the tube.

STEP 10 **Cleaning the Door Panels and Shower Unit**

Clean the glass and enclosure hardware with a mild, non-abrasive cleaner designed for glass such as CW® Mirror & Glass Cleaner. Avoid using scouring cleansers as this will scratch and mar the beautiful finish on the enclosure.

Thank you for purchasing a CW® Shower Enclosure. This is only one of a large line of shower enclosures and high quality wardrobe door products. If you like this product, please contact Contractors Wardrobe® for more information about our many beautiful wardrobe doors in bi-pass and bi-fold styles with steel, aluminum and hardwood frames.