

## Installation Instructions

**NOTE: #8 x 1-1/2" PH SMS Screws (#29) are used to install Bottom Curb/Sills (#2) and Wall Jamb (#5). For tile use a 3/16" masonry drill bit and Screw Anchors (#27). \*For fiberglass use a 1/8" drill bit and NO Screw Anchors.**

- Locate the Bottom Curb/Sill (#2) for the door opening and Bottom Curb/Sill (#2) for the return opening. Locate the Sill Spacers (#26). Cut two Sill Spacers (#26) 1-1/2" less than the In-Line Glass Panel (#35) width. Insert one Sill Spacer (#26) into the groove on Return Bottom Curb/Sill (#2). Insert the other Sill Spacer (#26) into the groove on Return Header (#1). Cut two Sill Spacers (#26) 1-1/2" less than the Return Glass Panel (#36) width. Insert one Sill Spacer (#26) into the groove on Return Bottom Curb/Sill (#2). Insert the other Sill Spacer (#26) into the groove on Return Header (#1). Locate one of the 90° Corner Brackets (#33), insert one end of the 90° Corner Brackets (#33) into one of the Bottom Curb/Sills (#2) at the mitered end. Insert the other side of the 90° Corner Brackets (#33) into the remaining Bottom Curb/Sill (#2) at the mitered end. Set the two Bottom Curb/Sills (#2) on the shower dam with the weep holes to the inside of the shower. Use four #6 x 3/16" "B"-Point Screws (#32) to secure the Bottom Curb/Sill (#2) together with the 90° Corner Brackets (#33).
- Apply liberal amount of tub and shower silicone caulking to the underside of the assembled Bottom Curb/Sill (#2) and reposition them on the shower dam with the weep holes to the inside of the shower. Silicone seal the corners where the Bottom Curb/Sill (#2) meets the wall, inside and out and at the mitered corner.

**NOTE: The following Installation Instructions given have the door pivoting off the In-Line Panel but it can also pivot off the wall.**

- Insert the Wall Jamb (#5) on the return panel side into the Bottom Curb/Sill (#2). Level the Wall Jamb (#5) then mark and drill the installation holes. Set the Wall Jamb (#5) aside while you carefully hammer a Screw Anchor (#27)\* into each hole. Re-align the Wall Jamb (#5) with the holes and secure to the wall with #8 x 1-1/2" PH SMS Screws (#29).
- Insert the Slip Jamb Male (#7) into the Bottom Curb/Sill (#2) on the door and In-Line Panel side. Level the Slip Jamb Male (#7) vertically and mark and drill installation holes. Set the Slip Jamb Male (#7) aside while you carefully hammer a Screw Anchor (#27) into each hole\*. Secure the Slip Jamb Male (#7) to the wall using #8 x 1-1/2" PH SMS Screws (#29).
- Place the Setting Blocks (#19) into the Bottom Curb/Sill (#2) on the Return Glass Panel (#36) side. Insert the Return Glass Panel (#36) into the Bottom Curb/Sill (#2) and Wall Jamb (#5). Temporarily secure the glass in place using a 2" strip of Vertical Press-In Vinyl (#23) on the outside.
- Insert the 90° Corner Post (#12) over the Return Glass Panel (#36) and into the Bottom Curb/Sill (#2). Temporarily secure the glass in place using a 2" strip of Vertical Press-In Vinyl (#23) on the outside.
- Place the other two Setting Blocks (#19) into the Bottom Curb/Sill (#2) for the In-Line Glass Panel (#35). Set the In-Line Glass Panel (#35) into the Bottom Curb/Sill (#2) and 90° Corner Post (#12). Temporarily secure the glass in place using a 2" strip of Vertical Press-In Vinyl (#23) on the outside.
- With the Pivot Gasket (#24) facing into the shower, set the Insert Jamb (#6) into the Bottom Curb/Sill (#2) and onto the In-Line Glass Panel (#35). Temporarily secure the glass in place using a 2" strip of Vertical Press-In Vinyl (#23) on the outside.
- With the Magnetic Jamb Seal (#21) facing out of the shower, slide the Slip Jamb Female (#8) over the Slip Jamb Male (#7). **DO NOT SECURE.**
- With the 90° Corner Post (#12) leveled vertically, measure the door and In-Line Glass Panel (#35) and Header (#1) opening from the wall to the outside edge of the 90° Corner Post (#12). Add 1/8" to this measurement and cut the door and In-Line Glass Panel (#35) Header (#1) to this dimension (measure from the long point of the miter and cut the other side at 90°). Use the same procedure to cut the Header (#1) for the Return Glass Panel (#36).
- Join the two Headers (#1) together, using the 90° Corner Bracket (#33) and four #6 x 3/16" "B"-Point Screw (#32).

\*For fiberglass use a 1/8" drill bit and NO Screw Anchors.

- Lower the assembled Headers (#1) over the vertical parts. Drill a hole in each end of the Header (#1) using a 7/64" Drill Bit and one hole in the 90° Corner Post (#12). Secure the Headers (#1) on the Return Glass Panel (#36) side and at the Slip Jamb Male (#7) but do NOT secure the Header (#1) over the 90° Corner Post (#12) at this time.
- Locate the two Snap-In Pivot Strips (#4). Snap one of the Snap-In Pivot Strips (#4) into the Header (#1), making sure the pivot hole is to the side that the door pivots from. The "raised edge" of the Snap-In Pivot Strips (#4) should be to the outside of the enclosure. Snap the remaining Snap-In Pivot Strips (#4) into the Curb/Sill (#2) again making sure the pivot hole is on the side that the door pivots from and the "raised edge" of the Snap-In Pivot Strips (#4) is to the outside of the enclosure. Locate the two Pivot Bushings (#15). Snap the Pivot Bushing (#15) into the holes in the Snap-In Pivot Strips (#4).
- Measure the width of the door panel. Level and adjust all of the vertical pieces so that the opening between the Insert Jamb (#6) and the Slip Jamb Female (#8) is 5/16" wider than the door panel.
- Insert the Pivot Bushings (#15) into the pivot holes, one into the Pivot Strip (#4) in the Header (#1) and one in the Pivot Strip (#4) in the Curb (#2).
- Assemble the Pivot Pin (#16), Spanner Washer (#18) and Kep Nuts (#17) loosely. Place the square head of the Pivot Pin (#16) into the pivot slot of the Top/Bottom Rails (#9). Slide the Pivot Pins (#16) to the end of the rails. Hand tighten the top and bottom Kep Nuts (#17). After alignment of the door tighten top and bottom Kep Nuts (#17) with a 7/16" wrench.
- Install the door panel by setting the bottom Pivot Pin (#16) into the Bottom Pivot Bushing (#15). Next, raise the Header (#1) slightly to allow room to insert the top Pivot Pin (#16) into the Top Pivot Bushing (#15). Lower the Header (#1) back into position. Adjust the door and tighten the Kep Nuts (#17) using a 7/16" wrench.
- On the inside of the shower, use a 7/64" Drill Bit to drill holes through the Slip Jamb Female (#8) and into the Slip Jamb Male (#7) at the top, center and bottom. Secure the Slip Jamb Female (#8) in place with three #6 x 1/4" TH SMS "B"-Point Screws (#28).
- Remove the temporary pieces of Vertical Press-In Vinyl (#23). Position panel glass to obtain sufficient overlap along the vertical and horizontal edges on all sides.
- On the outside, press in the Horizontal Press-In Vinyl (#22) (large profile) at the top against the Header (#1) without stretching. Cut square, covering the full width of the panel opening. Repeat to secure the panel at the bottom, against the Bottom Curb/Sill (#2). Press in the Vertical Press-In Vinyl (#23) (small profile) along the vertical edges at the Wall Jamb (#5) and Insert Jamb (#6) and 90° Corner Post (#12), without stretching. Cover the full height of the panel opening. Cut square.
- Measure the Drip Rail (#3) and add 1-1/4" to that measurement. Using a straight edge, cut the clear Drip Rail Gasket (#20) to this length. On one end, along the "star" edge, notch the Drip Rail Gasket (#20) 1/4". This end will be on the strike side when the Drip Rail Gasket (#20) is installed.
- Slide the "star" edge of the Drip Rail Gasket (#20) into the channel in the bottom of the Drip Rail (#3) and pull through. Make sure the notched end is on the strike side.
- Peel off the protective backing on the tape on the Drip Rail (#3) and position it so that one end is flush with the edge of the Door Bottom Rail (#9) on the pivot side and 1/2" in on the strike side with the bottom edge of the Drip Rail Gasket (#20) just touching the surface of the Bottom Curb/Sill (#2). Holding the Drip Rail (#3) in place, use the 7/64" Drill Bit and drill two holes through the Drip Rail (#3) at both ends and slightly into the Door Bottom Rail (#9). Attach Drip Rail (#3) using two #6 x 1/4" TH SMS "B"-Point Screws (#28).
- Adjust the Drip Rail Gasket (#20) so that 1/4" protrudes on the strike side and 1" on the pivot side. Using pliers, crimp the channel of the Drip Rail (#3) on the strike side to secure the Drip Rail Gasket (#20) in place.
- Using clear tub/tile silicone sealant, wet-seal the Glass Panel wherever it meets metal. Finally, seal the entire enclosure, inside and out, where metal meets curb, sill, walls, etc. Follow manufacturer's instructions for the sealant. Sealant must cure for 24 hours before using shower.

## Model #6000-180-90

# Cutting Information, Assembly Instructions, Illustrated Parts Breakdown & Installation Instructions

### Cutting Information

Standard height = 70-1/4" (See list of standard size door glass)

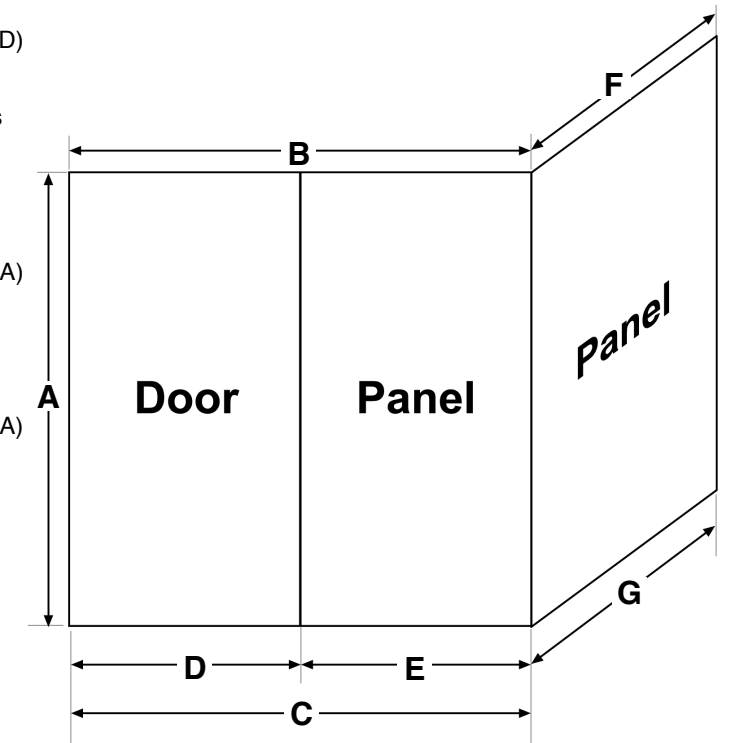
- To determine door glass width: Use desired door width (D) minus 1-5/8"
- To determine door glass height: Use unit height (A) minus 5-1/4" (Standard height = 65")
- To determine in-line panel glass width: Use unit width centerline (C) minus Door glass width minus 4"
- To determine in-line panel glass height: Use unit height (A) minus 1-3/8" (Standard height = 68-7/8")
- To determine return panel glass width: Use unit width centerline (F) Minus 7/8"
- To determine return panel glass Height: Use unit Height (A) minus 1-3/8" (Standard height = 68-7/8")

- A7015 Header = B, F  
A7020 Curb = C, G  
A7046 Drip Rail = Door Width minus 1/2"  
A7040 Pivot Strip = Door Width Rail plus 5/16"  
A7055 Wall Jamb = A minus 1-1/4"  
A7131 90° Corner Post = A minus 1-1/4"  
A7060 Insert Jamb = A minus 1-1/4"  
A7070 Slip Jamb Male = A minus 1-1/4"  
A7065 Slip Jamb Female = A minus 2-3/8"  
A7095 Top and Bottom Rail = Door Glass Height plus 1-5/8"  
A7090 Door Side Rail = Door Glass Height plus 1-5/8"  
A7085 Strike Rail = Door Glass Height plus 1-5/8"

### Door Assembly Instructions

**NOTE:** This door can be assembled as a Pivot Left or Pivot Right by changing the position of the Top Rail (#9) and Bottom Rail (#9).

- A-1)** Lay the glass flat on an assembly table. Apply Door Glazing Vinyl (#25) around the glass, notching the Door Glazing Vinyl (#25) to wrap around the corners.
- A-2)** Hold the Top Rail (#9) and the Bottom Rail (#9) in place, centered on the glass. Using a rubber mallet, tap the rails over the Door Glazing Vinyl (#25) and onto the glass, making sure that the Pivot Slots are correct (See IPB Drawing).
- A-3)** Attach the Strike Rail (#11), with magnet facing inside the shower (See IPB Drawing). Using a mallet, tap rail over Door Glazing Vinyl (#25) and onto the glass. Attach Door Side Rail (#10) to side with pivot slots (See IPB Drawing). Using a mallet tap rail over the Door Glazing Vinyl (#25) and onto the glass.



**NOTE:** All dimensions assume centerline measurements.

**A-4)** Attach the Rails together at the corners using #8 x 1-1/2" PH SMS Screws (#29).

**A-5)** Assemble the Pivot Pin (#16), Spanner Washer (#18) and Kep Nuts (#17) loosely. Place the square head of the Pivot Pin (#16) into the Pivot Slot of the Top and Bottom Rails (#9). Slide the Pivot Pins (#16) to the end of the Rails. Hand tighten the top and bottom Kep Nut (#17). After alignment of the door tighten top and bottom Kep Nuts (#17) with a 7/16" wrench.

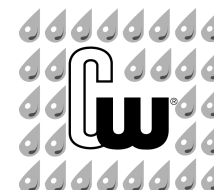
**A-6)** Attach the Outside Handle (#14) and Inside Handle (with Holes) (#13) to the Strike Rail (#11) using two #8 x 1-1/2" FH SMS Screws (#31).

**A-7)** If necessary, tap the Door Glazing Vinyl (#25) tight against the Rails using a wooden block.

#6000-180-90 / I6000-180-90 / 0711



Contractors Wardrobe® is the premier manufacturer of wardrobe doors and shower enclosure systems. It is our intended purpose to supply those customers that share in our commitment to be the best and maintain our over 20 year reputation for the highest quality, innovative designs and superior service.

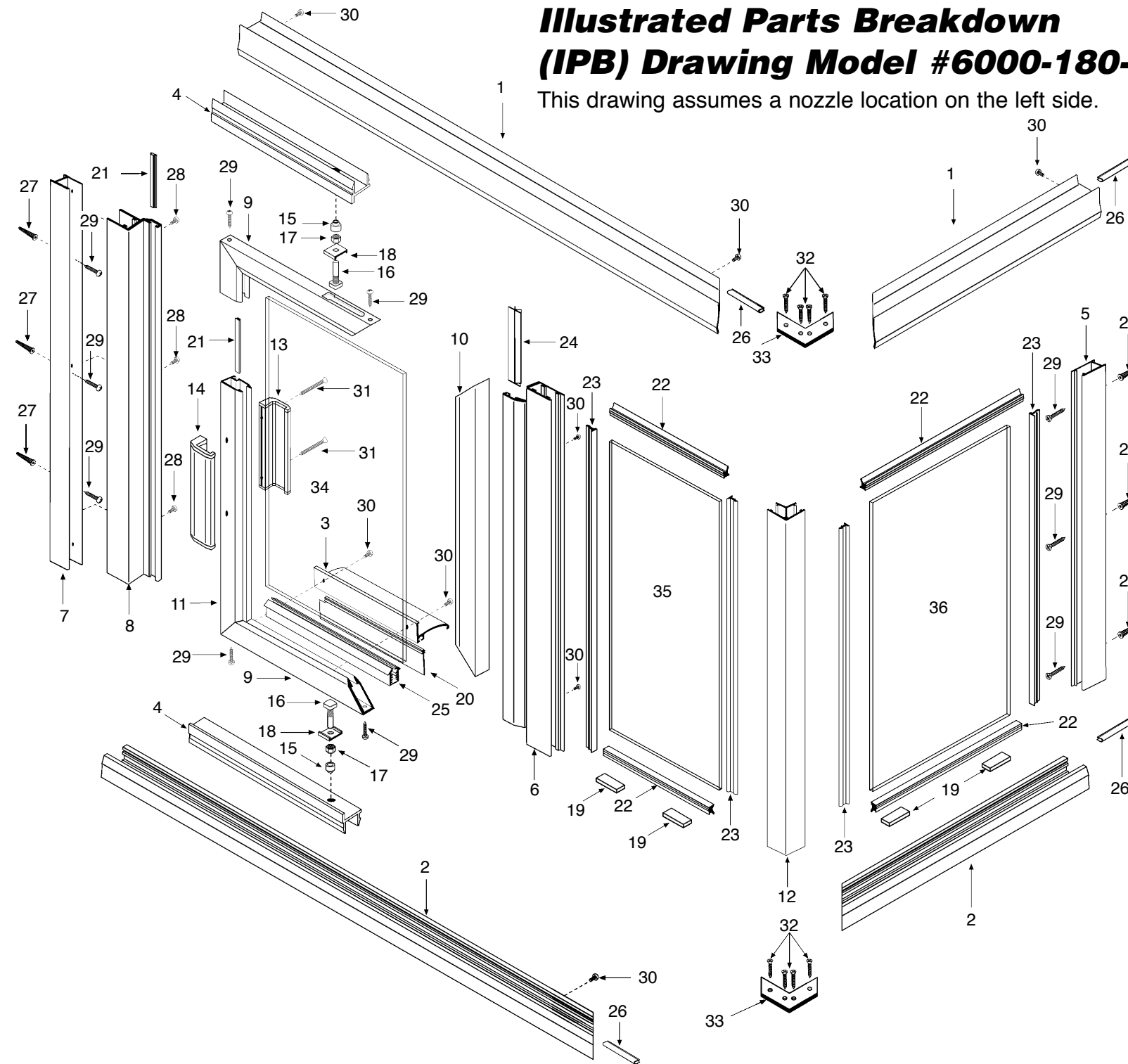


**Contractors Wardrobe®** DESIGNERS • MANUFACTURERS

26121 Avenue Hall • Valencia, CA 91355 • (661) 257-1177 • Fax: (661) 257-4907  
Toll Free: (800) CW-DOORS • (800) 293-6677 • www.CwDoor.com

## Illustrated Parts Breakdown (IPB) Drawing Model #6000-180-90

This drawing assumes a nozzle location on the left side.



No.	Qty	Part #	Description
#22	4	G1010 Gray	3/16" - 1/4" Horizontal Press-In Vinyl
		G1020 Gold	3/16" - 1/4" Horizontal Press-In Vinyl
		G2030 Gray	1/8" - 5/32" Horizontal Press-In Vinyl
		G2040 Gold	1/8" - 5/32" Horizontal Press-In Vinyl
#23	4	G1040 Gray	3/16" - 1/4" Vertical Press-In Vinyl
		G1050 Gold	3/16" - 1/4" Vertical Press-In Vinyl
		G2050 Gray	1/8" - 5/32" Vertical Press-In Vinyl
		G2060 Gold	1/8" - 5/32" Vertical Press-In Vinyl
#24	1	3030 Gray	Pivot Gasket
		3040 Gold	Pivot Gasket
#25	1	1070 Gray	3/16"-1/4" Glazing Vinyl - Door
		1080 Gold	3/16" - 1/4" Glazing Vinyl - Door
		2010 Gray	1/8" - 5/32" Glazing Vinyl - Door
		2020 Gold	1/8" - 5/32" Glazing Vinyl - Door
#26	4	G3090	Sill Spacer (Clear)
#27	6	S0170	Screw Anchors
#28	3	S81010 Gold	#6 x 1/4" TH SMS "B"-Point Screw
		S81015 Silver	#6 x 1/4" TH SMS "B"-Point Screw
#29	10	S82060 Gold	#8 x 1-1/2" PH SMS Screw
		S82065 Silver	#8 x 1-1/2" PH SMS Screw
#30	5	S81040 Gold	#6 x 7/16" "B"-Point Screw
		S81045 Silver	#6 x 7/16" "B"-Point Screw
#31	2	S82070 Gold	#8 x 1-1/2" FH SMS Screw
		S82075 Silver	#8 x 1-1/2" FH SMS Screw
#32	4	S81030 Gold	#6 x 3/16" "B"-Point Screw
		S81035 Silver	#6 x 3/16" "B"-Point Screw
#33	2	BS20	90° Corner Bracket
#34	1	Framed Pivot Door	
#35	1	In-Line Glass Panel	
#36	1	Return Glass panel	

No.	Qty	Part #	Part Description
#1	2	A7017	Header - #6000
#2	2	A7017	Bottom Curb/Sill - #6000
#3	1	A7046	Drip Rail - #6000
#4	2	A7041	Snap-In Pivot Strip - #6000
#5	1	A7055	Wall Jamb - #6000
#6	1	A7060	Insert Jamb - #6000
#7	1	A7070	Slip Jamb Male - #6000
#8	1	A7065	Slip Jamb Female - #6000
#9	2	A7095	Top/Bottom Rail - #6000

No.	Qty	Part #	Description
#10	1	A7090	Door Side Rail - #6000
#11	1	A7085	Strike Rail - #6000
#12	1	A7131	90° Corner Post - #6000
#13	1	HIA61	Inside Handle (with Holes)
#14	1	HOA61	Outside Handle
#15	2	BS1060	Pivot Bushing
#16	2	P6000	Pivot Pin

No.	Qty	Part #	Description
#17	2	N6010 Gold	Kep Nut
		N6015 Silver	Kep Nut
#18	2	S84000 Gold	Spanner Washer
		S84005 Silver	Spanner Washer
#19	4	G5020	Setting Block
#20	1	G3010	Drip Rail Gasket - 36" (Clear)
#21	2	M1000	Magnetic Jamb Seal