

Model 6000H

Illustrated Installation

Instructions

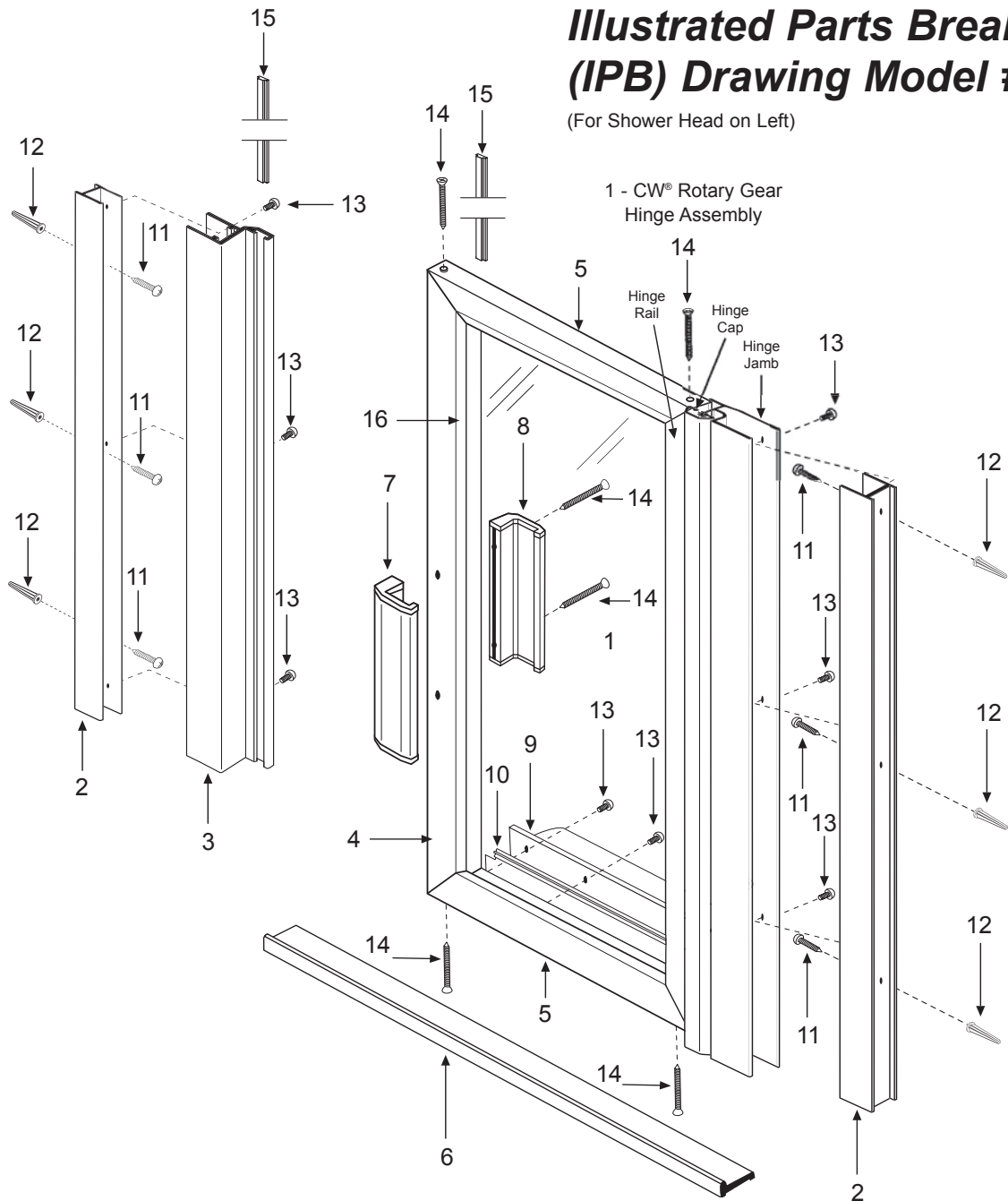


Shower Doors

DESIGNERS • MANUFACTURERS
26121 Avenue Hall • Valencia, CA 91355
(661) 257-1177 • (661) 257-4907
Or visit our website at: www.cwdoor.com

Illustrated Parts Breakdown (IPB) Drawing Model #6000H

(For Shower Head on Left)



No.	QTY	PART#	PART DESCRIPTION
#1	1	6H-RGHA	Framed Door with CW® Rotary Gear Hinge Assembly with Magnetic Seal
#2	2	A7070	Slip Jamb Male - #6000
#3	1	A7065	Slip Jamb Female - #6000 with Magnetic Jamb Seal
#4	1	A7085	Strike Rail - #6000
#5	2	A7095	Door Top/Bottom Rail - #6000
#6	1	A7110	Dam Strip
#7	1	HOA61	Handle Outside
#8	1	HIA61	Handle Inside (with Holes)
#9	1	A7046	Drip Rail - #6000
#10	1	G3010	Drip Rail Gasket - #6000
#11	6	S82060 S82065	#8 x 1 1/2" PH SMS Screw Gold Silver

No.	QTY	PART #	PART DESCRIPTION
#12	6	S0170	Screw Anchor
#13	8	S81010 S81015	Gold Silver #6 x 1/4" "B"-Point Screw
#14	6	S82070 S82075	Gold Silver #8 x 1 1/2" FH SMS Screw
#15	1	M1000	Magnetic Jamb Seal
#16	1	G1070 G1080 G1090 G1095 G2010 G2020	Gray Gold Gray Gold Gray Gold 3/16" Door Vinyl 3/16" Door Vinyl 1/4" Door Vinyl 1/4" Door Vinyl 1/8" - 5/32" Door Vinyl 1/8" - 5/32" Door Vinyl

In this instruction booklet we will walk you through the installation of your new shower door.

• **DO NOT REMOVE** your existing shower door until you check your new shower door kit for all the proper parts. Make sure that you have all the proper tools required to assemble your new shower door.


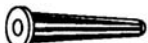


Tools you will need:

- Phillips Screwdriver
- Level
- Electric Drill
- 1/8" Drill Bit (for fiberglass stall)
- 3/16" Masonry Drill bit (for tile stall)
- 7/64" Drill Bit
- Pliers
- Pencil
- Hammer
- CaULKing Gun and one Tube of Clear Tub/Tile Silicone
- Tape Measure
- Safety Glasses

CAUTION: Wear safety glasses whenever drilling or cutting. Handle the Door panel carefully. The corners of the panel can damage tile and floor covering. Tempered glass cannot be cut.

STEP 1 Checking Contents of Shower Door Package

DO NOT use a razor blade to cut open the paper wrapping as you may scratch the contents. Use the IPB Drawing to help you locate the following parts:

No.	Qty.	Description
(#1)	1	Framed Door with CW® Rotary Gear Hinge Assembly with Magnetic Seal
(#2)	2	Slip Jamb Male - #6000
(#3)	1	Slip Jamb Female - #6000 with Magnetic Jamb Seal
(#6)	1	Dam Strip
(#7)	1	Handle Outside
(#8)	1	Handle Inside (with Holes)
(#9)	1	Drip Rail - #6000
(#10)	1	Drip Rail Gasket - #6000
(#11)	6	#8 x 1 1/2" PH SMS Screw
		
(#12)	6	Screw Anchor 
(#13)	8	#6 x 1/4" "B"-Point Screw 
(#14)	2	#8 x 1 1/2" FH SMS Screw
		

If you find that any parts are damaged or missing, refer to the parts list and IPB Drawing and contact Contractors Wardrobe®'s Customer Service Department at 661-257-1177. NOTE: Views and directions given in these instructions — left, right, front, back, etc. — are from outside of the enclosure, facing the shower.

STEP 2 Removing the Existing Enclosure

- A. Remove existing shower door and all existing parts to that door assembly. Remove all screw anchors from the wall. Clean silicone sealant or tub caulking and any other contaminants from tub and wall.

STEP 3 Installing the Slip Jamb Males

NOTE: The wall opposite the shower head and controls will be the hinge side. Some situations may require the door to hinge on the same side as the shower head and controls.

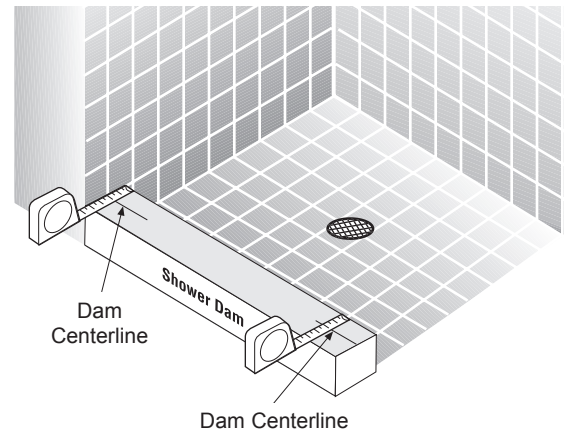


Figure 1

- A. Using the Measuring Tape, find the center of the shower dam. Make a mark where the center is at both sides of the dam. (See Figure 1).
- B. Locate the two Slip Jamb Males (#2), six #8 x 1 1/2" FH SMS Screws (#11) and six Screw Anchors (#12).
- C. On either wall, align the center of a Slip Jamb Male (#2) with the centerline mark on the shower dam. Use a level to align the Slip Jamb Male (#2) straight up and down (See Figure 2). Using a Pencil, mark through each of the three pre-drilled holes in the Slip Jamb Male (#2). Set the Slip Jamb Male (#2) aside for now.

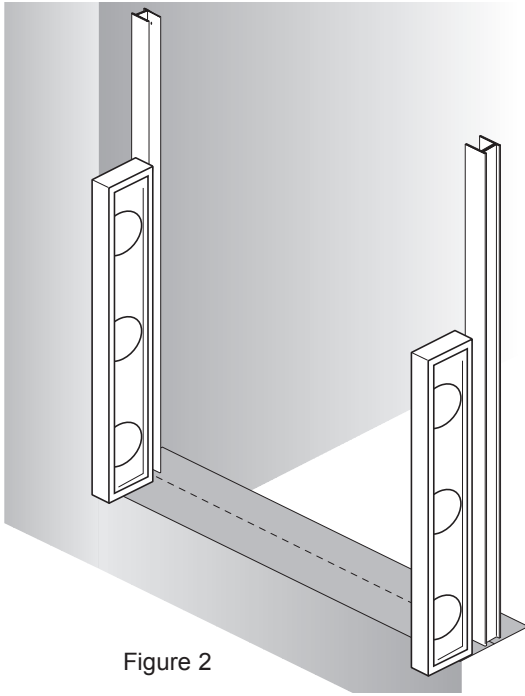


Figure 2

- D. Using either a 1/8" Drill Bit (for a fiberglass enclosure) or a 3/16" Masonry Drill Bit (for tile/marble), drill holes where you made the marks. If installing in a tile/marble enclosure, gently tap a Screw Anchor (#12) into each hole. **DO NOT use the Screw Anchors (#12) for a fiberglass enclosure.**
- E. Re-position the Slip Jamb Male (#2) on the wall and use three #8 x 1 1/2" PH SMS Screws (#11) to secure the Slip Jamb Male (#2) to the wall.
- F. Repeat Steps 3-B through 3-E to install the second Slip Jamb Male (#2) on the opposite wall. (See Figure 2).

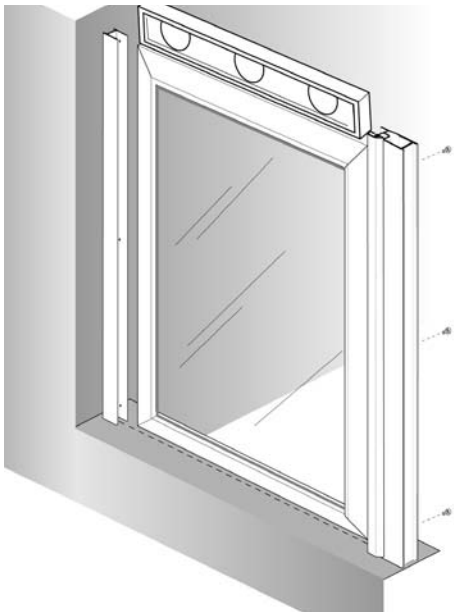


Figure 3

STEP 4 Installing the Door

NOTE: Installing the Door may be slightly easier with another person to assist you.

- A. Locate the Framed Door with CW® Rotary Gear Hinge Assembly (#1) and three of the #6 x 1/4" "B"-Point Screws (#13).
- B. Lift the door and slip the CW® Rotary Gear Hinge Assembly (#1) over the Slip Jamb Male (#2) secured to the wall opposite the shower head. Use your level to adjust the Framed Door with CW® Rotary Gear Hinge Assembly (#1) so that it is aligned true and plumb, up and down. (See Figure 3).
- C. Step into the shower. Holding the door in place, use a 7/64" Drill Bit to drill a hole 6" down from the top of the CW® Rotary Gear Hinge Assembly Hinge Jamb (#1) and into the Slip Jamb Male (#2). Drill another hole 6" up from the bottom and also one in the middle. Secure the Framed Door with CW® Rotary Gear Hinge Assembly (#1) to the Slip Jamb Male (#2) with the three #6 x 1/4" "B"-Point Screws (#13). (See Figure 3).

STEP 5 Installing the Slip Jamb Female and Adjusting the Door

- A. Locate the Slip Jamb Female (#3) and three more #6 x 1/4" "B"-Point Screws (#13).
- B. From outside the shower with the Magnetic Jamb Seal (#3) facing **OUT** towards you as you look into the shower, place the Slip Jamb Female (#3) over the Slip Jamb Male (#2) secured to the wall that the shower head is on. (See Figure 4).
- C. Close the Door. There should be a 1/8" gap between the edge of the door Strike Rail (#4) and the edge of the Slip Jamb Female (#3). If necessary, adjust the Slip Jamb Female (#3) so that there is a 1/8" gap along the length of the door. Gently open the door again, taking care that you maintain the adjustment. Step into the shower.
- D. Standing inside the shower, use the 7/64" Drill Bit to drill a hole 6" down from the top of the Slip Jamb Female (#3) through both Slip Jamb. Drill another hole 6" up from the bottom and also one in the middle. Secure the Slip Jamb Female (#3) to the Slip Jamb Male (#2) with three #6 x 1/4" "B"-Point Screws (#13). (See Figure 4).

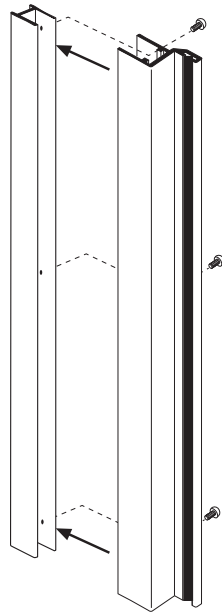


Figure 4

Note: Once installed, if you find that the door will not stay closed, the magnet needs to be turned around. Remove the Magnetic Jamb Seal (#15) and reinsert it the other way.

STEP 6 Installing the Drip Rail and Drip Rail Gasket

- A. Locate the pre-drilled Drip Rail (#9), Drip Rail Gasket (#10) and two #6 x 1/4" "B"-Point Screws (#13).
- B. Cut the Drip Rail Gasket (#10) 1 1/4" longer than the Drip Rail (#9).
- C. Insert the Drip Rail Gasket (#10) into the channel in the bottom of the Drip Rail (#9) and slide it through the channel.

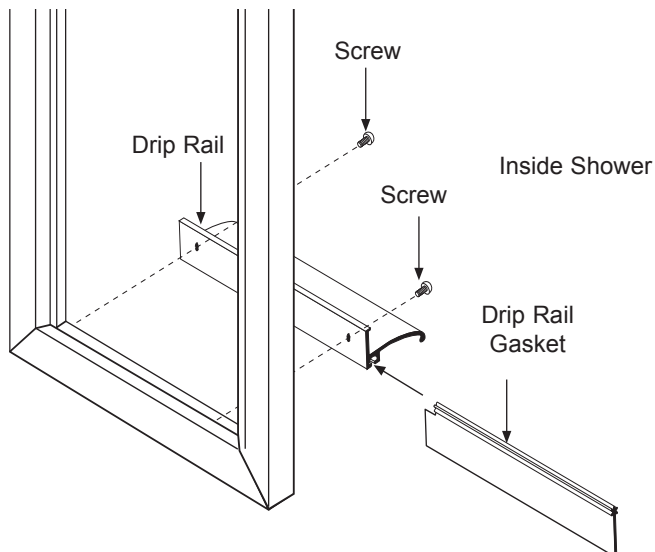


Figure 5

- D. Peel the backing off of the two-way tape on the Drip Rail (#9). Position the Drip Rail (#9) so that one end is flush with the Bottom Rail (#5) on the hinge side of the door and 1/2" in from the edge of the Strike Rail (#4) with the bottom edge of the Drip Rail Gasket (#10) *just* touching the surface of the shower sill. Press the Drip Rail (#9) onto the Bottom Rail (#5).
- E. Next, use the 7/64" Drill Bit and, using the pre-drilled holes, *carefully* drill two holes in the Bottom Rail (#5). Using the remaining two #6 x 1/4" "B"-Point Screws (#13), secure the Drip Rail (#9) with Drip Rail Gasket (#10) to the Door Panel. (See Figure 5).
- F. With the Drip Rail (#9) attached to the door, adjust the Drip Rail Gasket (#10) so that 1/4" protrudes from the channel on the Strike Rail (#4) side and 1" protrudes from the hinge side. Using Pliers, crimp the channel at the end nearest the Strike Rail (#4) to lock the Drip Rail Gasket (#10) into place.

STEP 7 Installing the Handles

- A. Locate the Handle Outside (#7), Handle Inside (with Holes) (#8) and the two #8 x 1 1/2" FH SMS Screws (#14).
- B. Use the #8 x 1 1/2" FH SMS Screws (#14) to attach the Handles to the Strike Rail (#4). Screw heads should be *inside* the shower.

STEP 8 Installing the Dam Strip

- A. Locate the Dam Strip (#6).
- B. From outside the shower enclosure, with the raised edge of the Dam Strip (#6) up and facing *out*, align one end of the Dam Strip (#6) with the Slip Jamb Female (#3) and the other end align with the inner edge of the CW® Rotary Gear Hinge Assembly (#1). (See Figure 6).

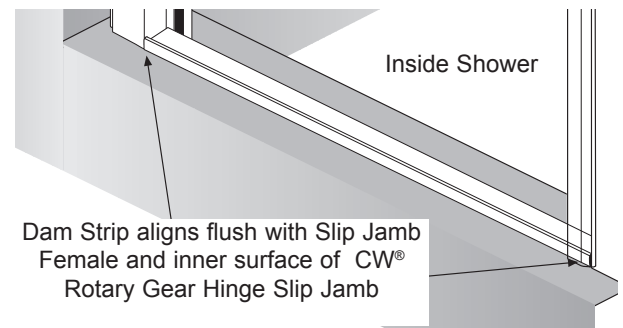


Figure 6

- C. Make sure that the top surface of the shower dam is completely clean of oil, dust, debris or other contaminants. Peel off the backing on the adhesive tape on the bottom of the Dam Strip (#6) and press it into place on top of the shower dam.

STEP 9 Silicone Sealing the Enclosure

Using the Clear Tub/Tile Silicone, seal all edges, both interior and exterior where the CW® Rotary Gear Hinge Assembly (#1), Slip Jamb Female (#3) and Dam Strip (#6) meet and where they meet the tile or fiberglass.

NOTE: Silicone sealant must cure for 24 hours before you use your new enclosure. Silicones may vary. Please follow curing instructions on the tube.

STEP 10 Cleaning the Door Panels and Shower Unit

Clean the glass and enclosure hardware with a mild, non-abrasive cleaner designed for glass such as CW® Mirror & Glass Cleaner. Avoid using scouring cleansers as this will scratch and mar the beautiful finish on the enclosure.

Thank you for purchasing a CW® Shower Enclosure. This is only one of a large line of shower enclosures and high quality wardrobe door products. If you like this product, please contact Contractors Wardrobe® for more information about our many beautiful wardrobe doors in bi-pass and bi-fold styles with steel, aluminum and hardwood frames.