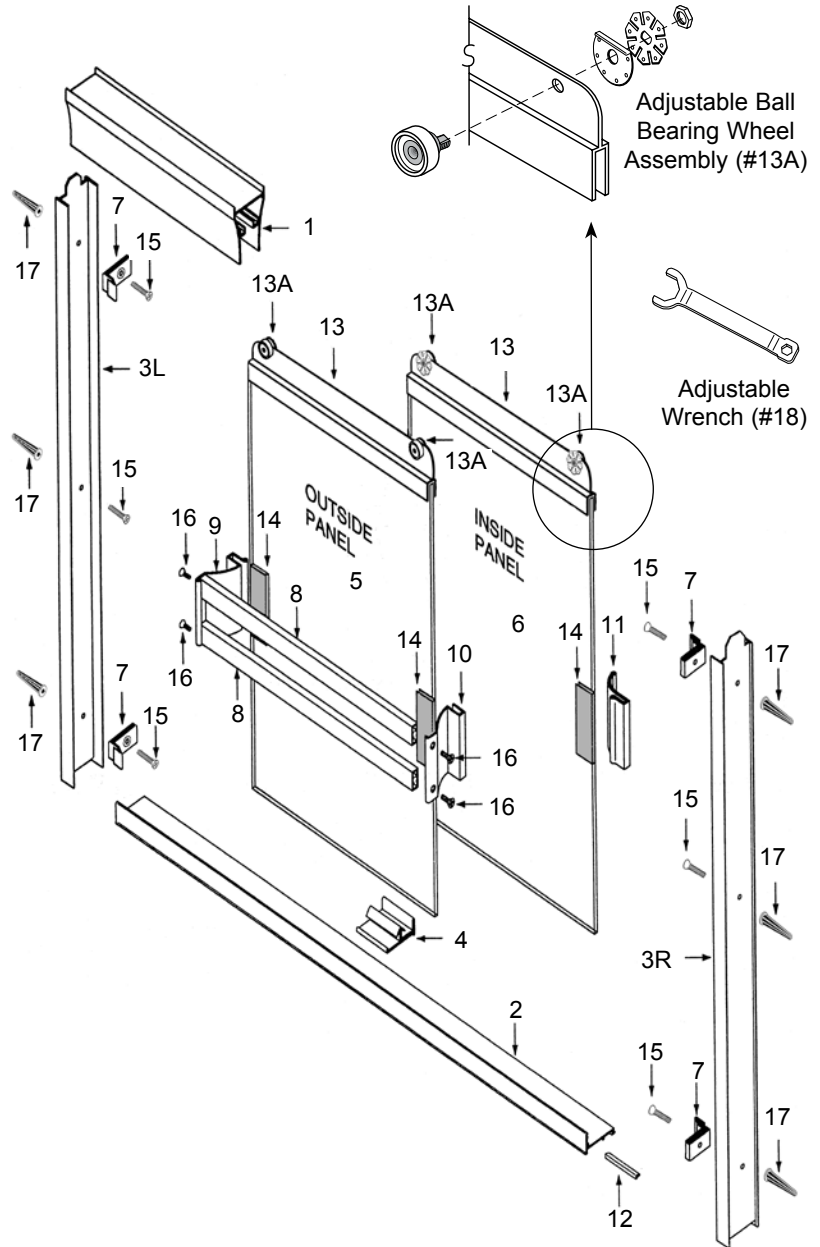


Model 2000 Illustrated Installation Instructions

Illustrated Parts Breakdown (IPB) Drawing Model #2000

(For shower head nozzle on right)

No.	QTY	PART #	PART DESCRIPTION
#1	1	A7210	Header
#2	1	A7240	Curb
#3L	1	A7220L	Wall Jamb - Left
#3R	1	A7220R	Wall Jamb - Right
#4	1	G1125	Guide
#5	1		Outside Door Panel
#6	1		Inside Door Panel
#7	4	L2000	Gray Panel Locator
		L2005	Gold Panel Locator
		L2010	Bronze Panel Locator
#8	2	A6080	Towel Bar
#9	1	BHA120	Towel Bar Bracket/Handle
#10	1	BA120	Towel Bar Bracket
#11	1	HA120	Handle
#12	1	G4000	Gray Panel Glide Strip
		G4010	Gold Panel Glide Strip
#13	2	7250	Top Rail
#13A	4	W8100	Adjustable Ball Bearing Wheel Assembly
#14	3	GA275	Handle Gasket
#15	6	S82070	Gold #8 x 1-1/2" FH SMS Screw
		S82075	Silver #8 x 1-1/2" FH SMS Screw
		S82075BL	Black #8 x 1-1/2" FH SMS Screw
		S82075W	White #8 x 1-1/2" FH SMS Screw
#16	4	S82090	Gold #8 x 1/2" FH SMS Screw
		S82095	Silver #8 x 1/2" FH SMS Screw
#17	6	S0170	Screw Anchor
#18	1	W8160	Adjustment Wrench



Contractors Wardrobe® DESIGNERS • MANUFACTURERS
 26121 Avenue Hall • Valencia, CA 91355 • (661) 257-1177 • Fax: (661) 257-4907
 Toll Free: (800) CW-DOORS • (800) 293-6677 • www.CwDoor.com

NOTE: Contractors Wardrobe® Shower Enclosures feature Adjustable Cam Technology to allow for complete adjustment of shower door panels even after installation!

In this instruction booklet we will walk you through the installation of your new shower door.

DO NOT REMOVE your old shower door until you check that your new shower door kit is the right size for your shower and that all the proper parts are in the box or hardware bag. NOTE: The Header (#1) and Curb (#2) are shipped 1" oversized, so you will need to cut each to fit.

Use a level to check that the tub (sill/shower dam) is reasonably level — not more than 1/4" out of level from side to side. If it is out of level more than that, you may want to consider ordering a custom-mitered fill that fits under the Curb (#2). This will level the Curb (#2) correctly. In the absence of leveling the Curb (#2) with a mitered fill, and depending upon how badly your tub is out of level, the panels may not stay in a closed position. Instead, the panels may roll downhill, causing one of the doors to open.

Tools you will need:


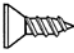

- Phillips Screwdriver
- Level (preferably 18" or larger)
- Electric Drill
- 1/8" Drill Bit (for fiberglass stall)
- 3/16" Masonry Drill Bit (for tile stall)
- Pencil
- Hammer
- Fine File
- Miter Box and Hacksaw with 18 Teeth/Inch Blade
- Caulking Gun and one Tube of Clear Tub/Tile Silicone
- 3/8" Open End Wrench
- Wire Cutters
- Tape Measure
- Duct Tape or some other type of reasonably heavy tape. Not Scotch Tape.
- Safety Glasses and Gloves

CAUTION: Wear safety glasses whenever drilling or cutting. Handle the framed glass panels carefully. The sharp corners of the panels can damage tile and floor covering. Tempered glass cannot be cut. Do NOT let the corners of the Door Panels strike the other glass Door Panel or any hard surface, wall or floor. Even tempered glass may be shattered in this manner.

STEP 1 Checking Contents of Shower Door Package

DO NOT use a razor blade to cut open the paper wrapping as you may scratch the contents. In the box or small hardware parts bag you should find the following:

No. Qty. Description

- (#1) 1 Header - (approx. 1" oversized)
- (#2) 1 Curb (approx. 1" oversized)
- (#3) 2 Wall Jamb - (Marked "L" and "R")
- (#4) 1 Guide
- (#5) 1 Outside Door Panel
- (#6) 1 Inside Door Panel
- (#7) 4 Panel Locator
- (#8) 2 Towel Bar
- (#9) 1 Towel Bar Bracket/Handle
- (#10) 1 Towel Bar Bracket
- (#11) 1 Handle
- (#12) 1 Panel Glide Strip - (pre-installed in Bottom Track/Curb)
- (#13A) 4 Adjustable Ball Bearing Wheel Assembly
- (#14) 3 Handle Gasket
- (#15) 6 #8 x 1-1/2" FH SMS Screw

- (#16) 4 #8 x 1/2" FH SMS Screw 
- (#17) 6 Screw Anchor 
- (#18) 1 Adjustment Wrench

If you find that any parts are damaged or missing, refer to the parts list and IPB Drawing and contact Contractors Wardrobe®'s Customer Service Department at 661-257-1177. NOTE: Views and directions given in these instructions — left, right, front, back, etc. — are from outside the enclosure, facing the shower.

STEP 2 Removing Existing Shower Doors

After determining that your newly purchased shower enclosure kit is the correct size, remove the existing shower door and all existing parts of that door assembly. Remove all screw anchors from the wall. Clean silicone sealant or shower caulking and any other contaminants from shower and wall surfaces.

STEP 3 Installing the Curb

NOTE: If your shower has a curve (radius) in the corners at the side walls, be sure to measure from wall to wall *below* the curves (See Figure 1A).

- A. Using the Tape Measure, measure between right and left walls along the flat-test part of the tub sill. Write this dimension down (See Figure 1).

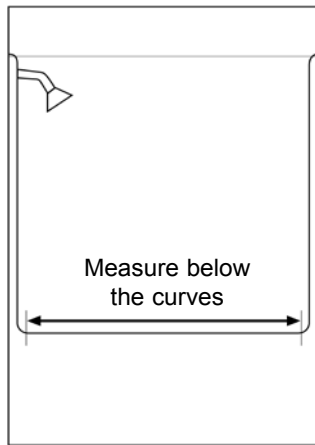


Figure 1A

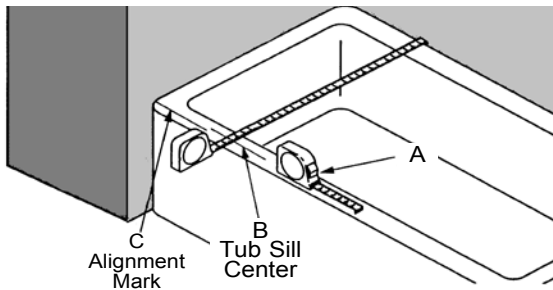


Figure 1

- B. Center the Curb (#2) on the sill/dam. In some installations, you may prefer to position the Curb (#2) forward or back of center. For example, by moving the Curb (#2) forward, you will slightly increase the depth within the shower area. See Figure 2.

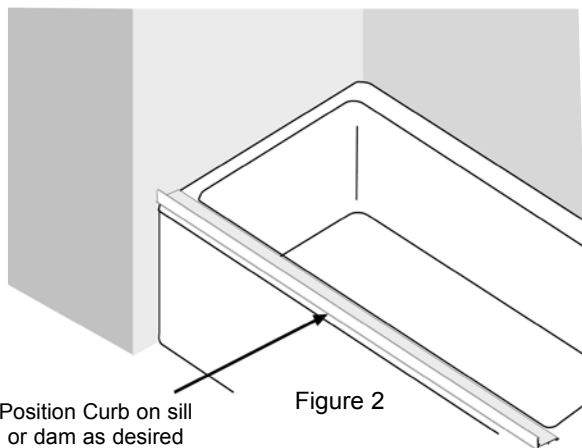


Figure 2

- C. Locate Curb (#2). Remove the Panel Glide Strip (#12) from the Curb (#2). See IPB Drawing.
- D. Using the measurement from Step 3A, cut the Curb (#2) to this length. Use the Miter Box and Hacksaw to make a straight cut.

- E. Using the Wire Cutters, cut the Panel Glide Strip (#12) 3/8" shorter than the Curb (#2). Re-install the Panel Glide Strip (#12) into the Curb (#2) and position it (center it) so that the ends of Panel Glide Strip (#12) are evenly spaced at each end of the Curb (#2).
- F. Cut two pieces of Duct Tape 12" long. Next, use the Caulking Gun to apply a thick bead of Silicone sealant (approximately 3/8" in diameter) to the bottom surface of the Curb (#2) along its entire length. Place the Curb (#2) on the shower sill, in the position you determined in Step 3B. Use the two strips of Duct Tape to temporarily hold the Curb (#2) in place, but DO NOT place the tape within 2" of the wall. In other words, the distance (gap) between the wall and the tape should be 2" or more away from the walls so that the tape will not be in your way when you install the Wall Jambs (#3).

NOTE: The tape will help provide a positive seal to the shower sill while holding the Curb (#2) in place for the following steps.

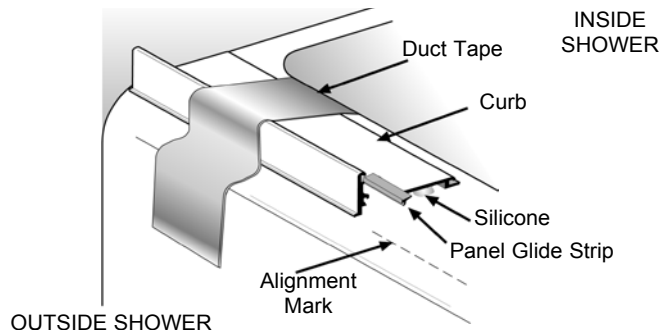
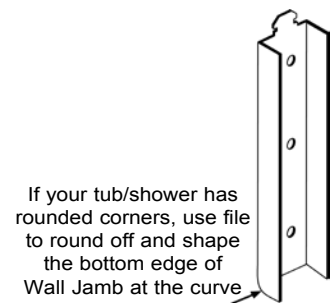


Figure 3

STEP 4 Installing the Wall Jambs

NOTE: The Model #2000 comes with two Wall Jambs (#3). One is notched for the left wall, the other is notched for the right wall (as you face the enclosure from the outside). If you look at the bottom end of each Wall Jamb (#3), on the back surface you will see that each is clearly stamped "L" for left, "R" for right.

- A. Locate the left Wall Jamb (#3L) marked with an "L". If your shower has curved corners, use a File to round off and shape the bottom ends of the Wall Jambs (#3) to fit the rounded corners of the shower.



- B. Place the left Wall Jamb (#3L) against the left wall and slip/snap the bottom of the Wall Jamb (#3L) over the Curb (#2). Use a Level held against the side of the Wall Jamb (#3L) to align it vertically straight up and down as shown in Figure 4. Use a Pencil to mark the position of each of the three pre-drilled holes in the left Wall Jamb (#3L). Set the Wall Jamb (#3L) aside for the moment.

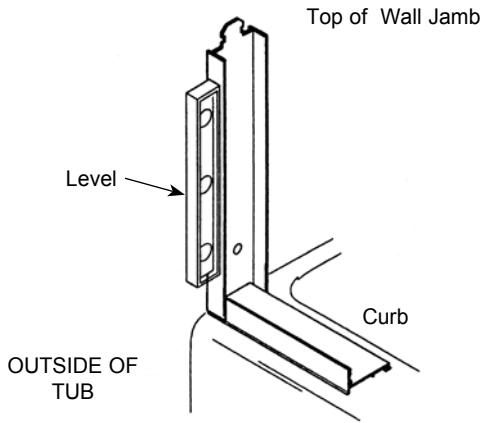


Figure 4

- C. Using either a 1/8" Drill Bit (for a fiberglass enclosure) or a 3/16" Masonry Drill Bit (for tile) drill three holes where you made the marks. If installing in a tiled enclosure, gently tap a Screw Anchor (#17) into each hole. DO NOT use the Screw Anchors (#17) for a fiberglass enclosure.
- D. Place the Wall Jamb (#3L) back over the Curb (#2) and against the wall and secure with a single #8 x 1-1/2" FH SMS Screw (#15) in the TOP hole only, with panel locator at this time.
- E. Repeat Steps 4A through 4D for the right Wall Jamb (#3R).
- F. Remove the Duct Tape.

STEP 5: *Installing the Panel Locators*

- A. See Figures 4A and 4B to position the Panel Locator (#7). If the shower head is on the right wall, refer to Figure 4A to position the Panel Locator (#7). If the shower head is on the left, refer to Figure 4B. Secure with a #8 x 1-1/2" FH SMS Screw (#15).

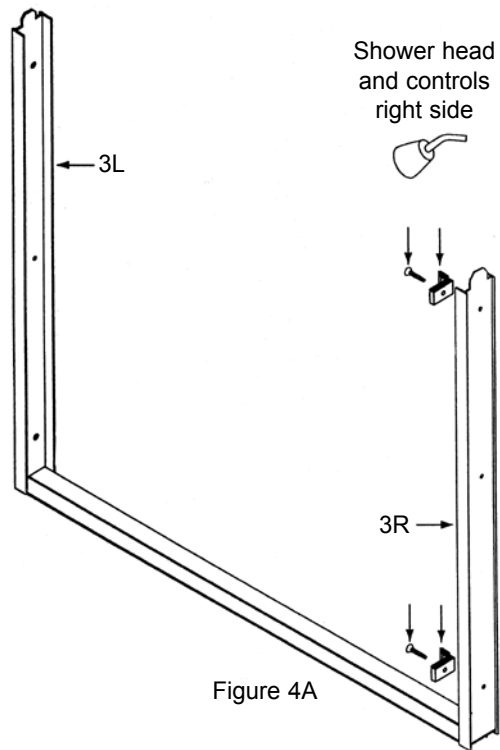


Figure 4A

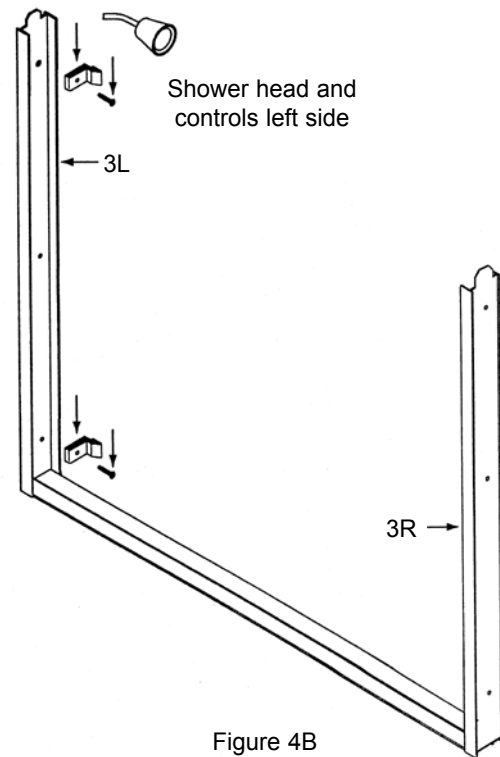
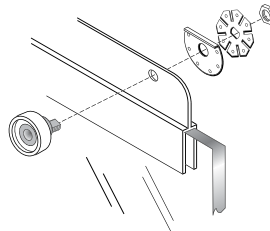
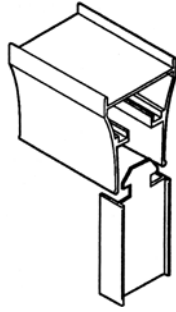


Figure 4B

STEP 6 *Installing the Header*

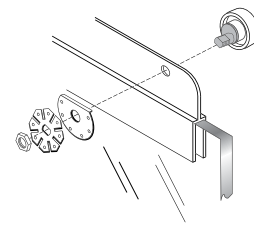
- A. Using the Tape Measure, measure the distance between the left and right wall at the top (Remember, the width at the bottom of the enclosure may NOT be the same as the width of the top of the enclosure because walls may not be plumb and square).

- B. Locate the Header (#1). Using the Miter Box and Hacksaw, cut the Header (#1) to the length you just measured.
- C. The Model #2000 comes with a positive snap-lock feature which eliminates the need for screws to hold the Header (#1) in place. Position the Header (#1) over the top of the Wall Jamb (#3). Spread the Header (#1) sides slightly as you pull it down onto the Wall Jamb (#3) until it snaps and locks in place. You should be able to hear and feel when it solidly locks in place.



"Front" of Outside Door Panel

Figure 5B



"Front" of Inside Door Panel

Figure 5C

- B. Attach the remaining two Adjustable Ball Bearing Wheel Assemblies (#13A) to the Top Rail (#13) of Inside Door Panel (#6) with the wheels facing the *inside* of the enclosure. Tighten the hex nut with the supplied Adjustment Wrench (#18).

STEP 7 Installing the Adjustable Ball Bearing Wheel Assemblies

If your enclosure has obscure or textured Specialty Glass you will need to install the unit so that the textured side of the Door Panels (#5 and #6) will face out of the enclosure. The smooth side of the glass faces into the enclosure so that the glass is easy to keep clean. The wheels on the Inside Door Panel (#6) will face *INTO* the tub while the wheels on the Outside Door Panel (#5) will face *OUT* (See Figure 5A). Once you have established the correct orientation of the Top Rails (#13) you can begin to install the Adjustable Ball Bearing Wheel Assemblies (#13A).

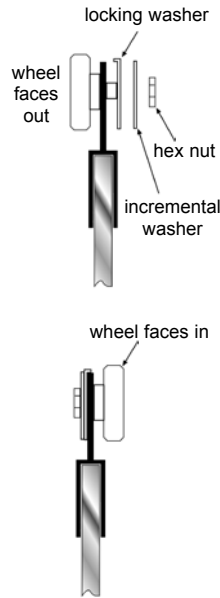


Figure 5A

- A. Attach an Adjustable Ball Bearing Wheel Assembly (#13A) to each Top Rail (#13) on the Outside Door Panel (#5). The metal parts should be against the frame, as shown in the Figures 5B and 5C. Make sure that the interlocking "bumps" and "dimples" on the two washers mate and that the top lip of the locking washer is over the Top Rail (#13) "fin". Tighten the hex nut with the supplied Adjustment Wrench (#18).

STEP 8 Installing the Door Panels

Installing the Door Panels may be easier if you have someone assisting you. **Always wear Gloves and Safety Goggles whenever handling glass.**

- A. Hold the Inside Door Panel (#6) so that the rollers are facing away from you. Standing outside of and facing the shower enclosure, lift the Inside Door Panel (#6) up and over the Bottom Track/Curb (#2) and then lift the Top Rail (#13) up into the Header (#1) (See Figure 6A).
- B. Gently set (lower) the Inside Door Panel (#6) into position with the wheels seated in the rear track of the Header (#1). Make sure that the Panel rolls freely.

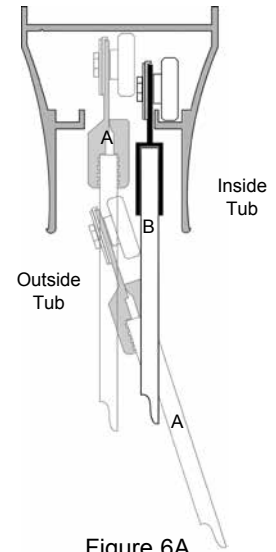


Figure 6A

- C. If someone is assisting you, have he or she stand in the shower and pull the bottom edge of the Inside Door Panel (#6) towards them, to give you about 2" of clearance for the next step. If you are installing the doors by yourself, you will need to push the Inside Door Panel (#6) out of your way as we describe here. Hold the Outside Door Panel (#5) so that the Adjustable Ball Bearing Wheel Assembly (#13A) face *towards* you. Lift the Outside Door Panel (#5) and use the index finger of both hands to carefully push

the Inside Door Panel (#6) back and out of the way as you lift the Outside Door Panel (#5) up and over the Bottom Track/Curb (#2). Insert the Top Rail (#13) up and into the Header (#1). Set the wheels into the front track of the Header (#1) (See Figure 6B).

- D. VERY CAREFULLY set the Outside Door Panel (#5) into the track and make sure that it rolls freely. Carefully ease the Inside Door Panel (#6) back into place.
- E. Slide both panels to one side.

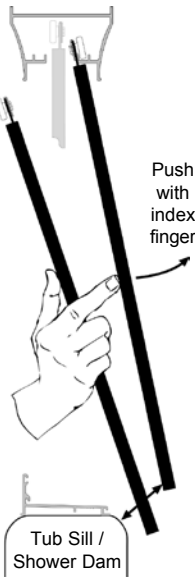


Figure 6B

STEP 9 Adjusting and Aligning the Door Panels

- A. To ensure that the enclosure is water-tight, the Door Panels (#5 and #6) must be correctly aligned. Slide the Inside Panel (#6) toward the wall with the shower head. Slide the Outside Panel (#6) to the opposite wall. If the Door Panels (#5 and #6) are not flush with the Wall Jamb (#3) or are too high off the Bottom Track/Curb (#2), the unit could leak while the shower is in use. If the edges of the Door Panels (#5 and #6) do not align flush with the Wall Jamb (#3), the Door Panels (#5 and #6) need to be adjusted.
- B. One or more of the Adjustable Ball Bearing Wheel Assemblies (#13A) may need to be adjusted to properly align the Door Panels (#5 and #6). Using the supplied Adjustment Wrench (#18), rotate the incremental washer of the Adjustable Ball Bearing Wheel Assemblies (#13A) in either direction until the Door Panels (#5 and #6) hang flush with the Wall Jamb (#3).

STEP 10 Installing the Double Towel Bar

The two Towel Bars (#8), Towel Bar Bracket/Handle (#9) and Towel Bar Bracket (#10) will be installed on the Outside Door Panel (#5). The Handle (#11) will be installed on the Inside Panel (#6) with the large curved part of the Handle (#11) facing *into* the tub.

- A. Locate the two Towel Bars (#8), the Towel Bar Bracket/Handle (#9), Towel Bar Bracket (#10), four #8 x 1/2" FH SMS Screws (#16), and two of the three Handle Gaskets (#14). Refer to the IPB Drawing to help identify these parts.
- B. Slide the Outside Door Panel (#5) to the Wall Jamb (#3) opposite the side with the shower head.
- C. Wrap a Handle Gasket (#14) around the edge of the glass nearest the wall and position so that it is centered on the Panel Locator (#7). Position the Towel Bar Bracket/Handle (#9) over the Handle Gasket (#14) and push it onto the Handle Gasket (#14) (It may be necessary to use a hammer to *lightly* tap the Towel Bar Bracket/Handle (#9) onto the Handle Gasket (#14)).
- D. Slide the Outside Door Panel (#5) to the Wall Jamb (#3) nearest the shower head. Wrap another Handle Gasket (#14) around the edge of the glass nearest the wall and centered on the Panel Locator (#7). Position the Towel Bar Bracket (#10) over the Handle Gasket (#14) and push it into place (See Figure 7).
- E. With the curved side of each Towel Bar (#8) towards you, attach each one to the two Towel Bar Brackets (#9 and #10) using the four #8 x 1/2" FH SMS Screws (#16) (See Figure 7).

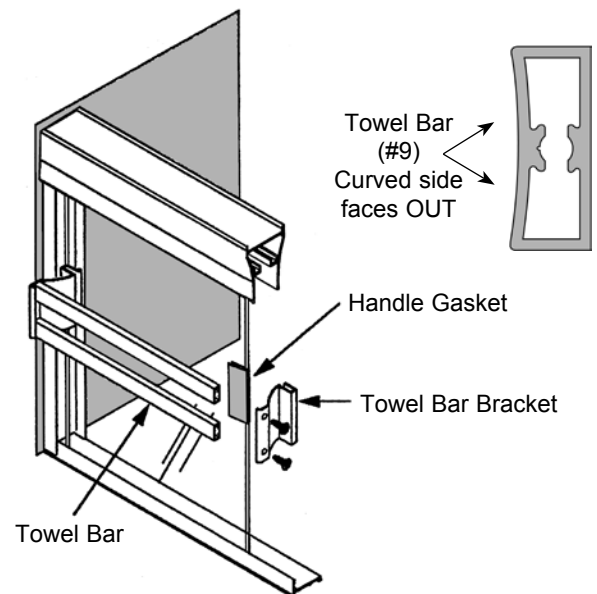


Figure 7

STEP 11 Installing the Handle

- A. Locate the Handle (#11) and the third Handle Gasket (#14).

- B. Slide the Outside Door Panel (#5) towards the wall opposite the shower head. Slide the Inside Door Panel (#6) towards the Wall Jamb (#3) nearest the shower head.
- C. On the edge of the Inside Door Panel (#6) nearest the shower head, center the Handle Gasket (#14) using the Panel Locator (#7) for reference and position the Handle (#11) over the Handle Gasket (#14) with the large, curved part of the Handle (#11) facing *into* the tub.
- D. Flex the Handle (#11) slightly as you press it with even pressure onto the Handle Gasket (#14) (See Figure 8).

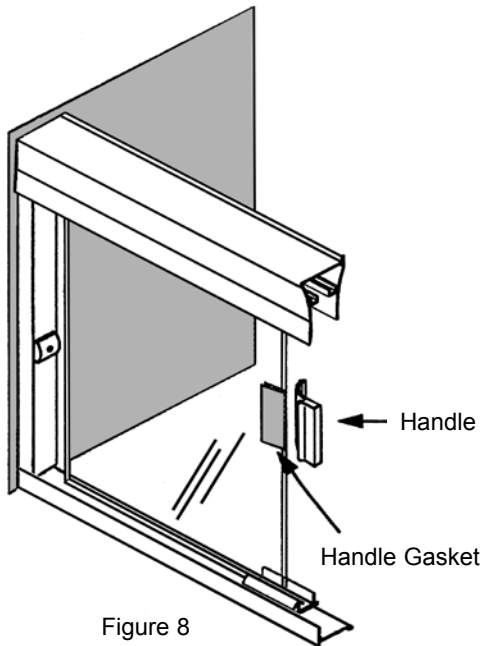


Figure 8

- E. Finally, gently slide the Inside Door Panel (#6) towards the wall with the shower head and the Outside Door Panel (#5) to the other wall to ensure that they clear one another and that the overlap of the two doors is correct, as shown in Figure 9.

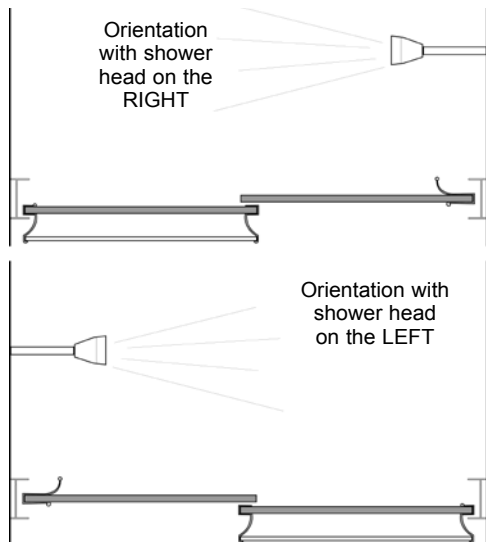


Figure 9

STEP 12 Installing the Guide

WARNING! IMPORTANT: DO NOT ATTEMPT TO LOCK THE GUIDE (#4) INTO PLACE UNTIL YOU ARE READY TO INSTALL IT! Once the Guide (#4) is in place the Shower Door Panels will be **EXTREMELY** difficult to remove and adjusting or removing the Guide (#4) will be nearly impossible.

- A. Locate the Guide (#4). First, make sure that the surface of the Curb (#2) is entirely clean of oil, dust, debris or other contaminants.
- B. With a Tape Measure, measure from Wall Jamb (#3) to Wall Jamb (#3) and, with a Pencil, mark the center point of the Curb (#2) on the inside edge of the Curb (#2) or lightly on the tub sill or tile where it will be visible. Remember, you will want to be able to see the pencil mark after you insert the Guide (#4) into the groove in the Curb (#2) so that you can center the Guide (#4).
- C. Slide both Door Panels (#5 and #6) to one side. Peel the paper backing off the two-way tape on the bottom of the Guide (#4). Without letting the adhesive side of the tape touch the Curb (#2) OR accidentally pressing down or locking the Guide (#4) into place, carefully insert the front edge of the Guide (#4) into the groove in the Curb (#2) and slide the Guide (#4) under the two Door Panels (#5 and #6) as shown in Figure 10A. Center the Guide (#4) on the pencil mark you made (See Figure 10A).

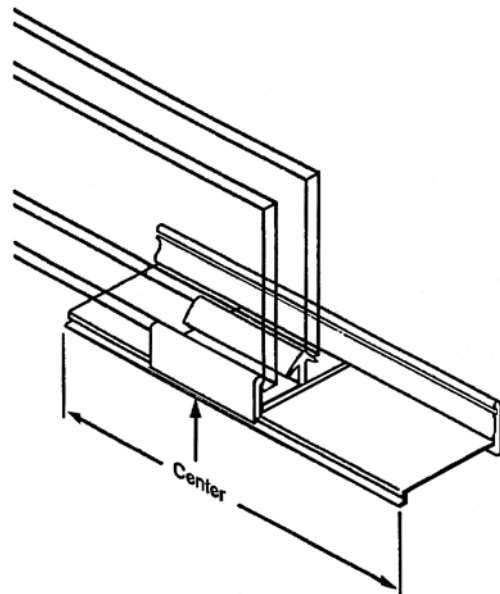
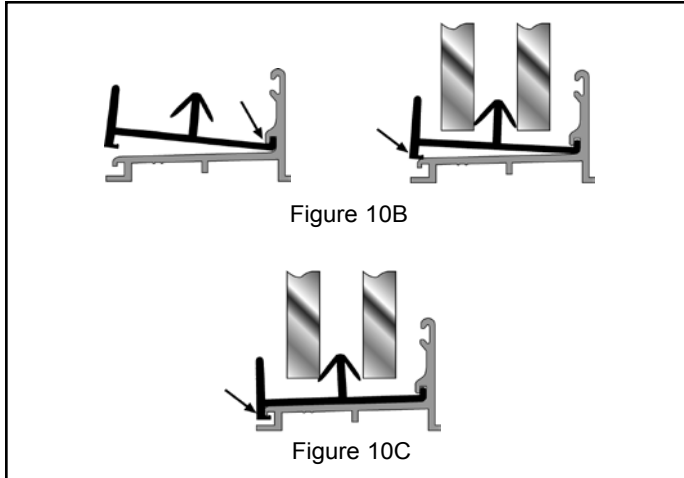


Figure 10A

- D. Press the Guide (#4) onto the Curb (#2) and lock it into position by pressing firmly on the back edge of the Guide (#4) as shown in Figure 10B. You should feel it lock into place. If the Guide (#4) doesn't lock into position easily, it may be necessary to press firmly on one end to start the process and work along the back of the Guide (#4) in order to lock it into place (See Figure 10C).





STEP 13 ***Silicone Sealing the Enclosure***

- A. Using Caulking Gun and Clear Silicone, seal both ends of the Curb (#2) where it meets the Wall Jamb (#3) and along the interior and exterior edge of the Header (#1).

NOTE: Silicone sealant must cure for 24 hours before you use your new enclosure. Silicones may vary. Please follow curing instructions on the tube.

STEP 14 ***Cleaning the Door Panels***

Clean the glass and enclosure hardware with a mild, non-abrasive cleaner designed for glass such as  Mirror & Glass Cleaner. Avoid using scouring cleansers as this will scratch and mar the beautiful finish on the enclosure.

Thank you for purchasing a  Shower Enclosure. If you like this product, we invite you to visit our website at www.CwDoor.com for more information about our extensive line of other Shower Enclosures, Room Partitions and Loft Dividers, Cabinet Doors, and Wardrobe Doors. They Feature Duratuf® Tempered Safety Glass, Painted Glass, CwShield™ Protective Coating and Duraflect® Copper-Free Mirror.